

Clarke & Severn Electronics

Ph: +612 9482 1944

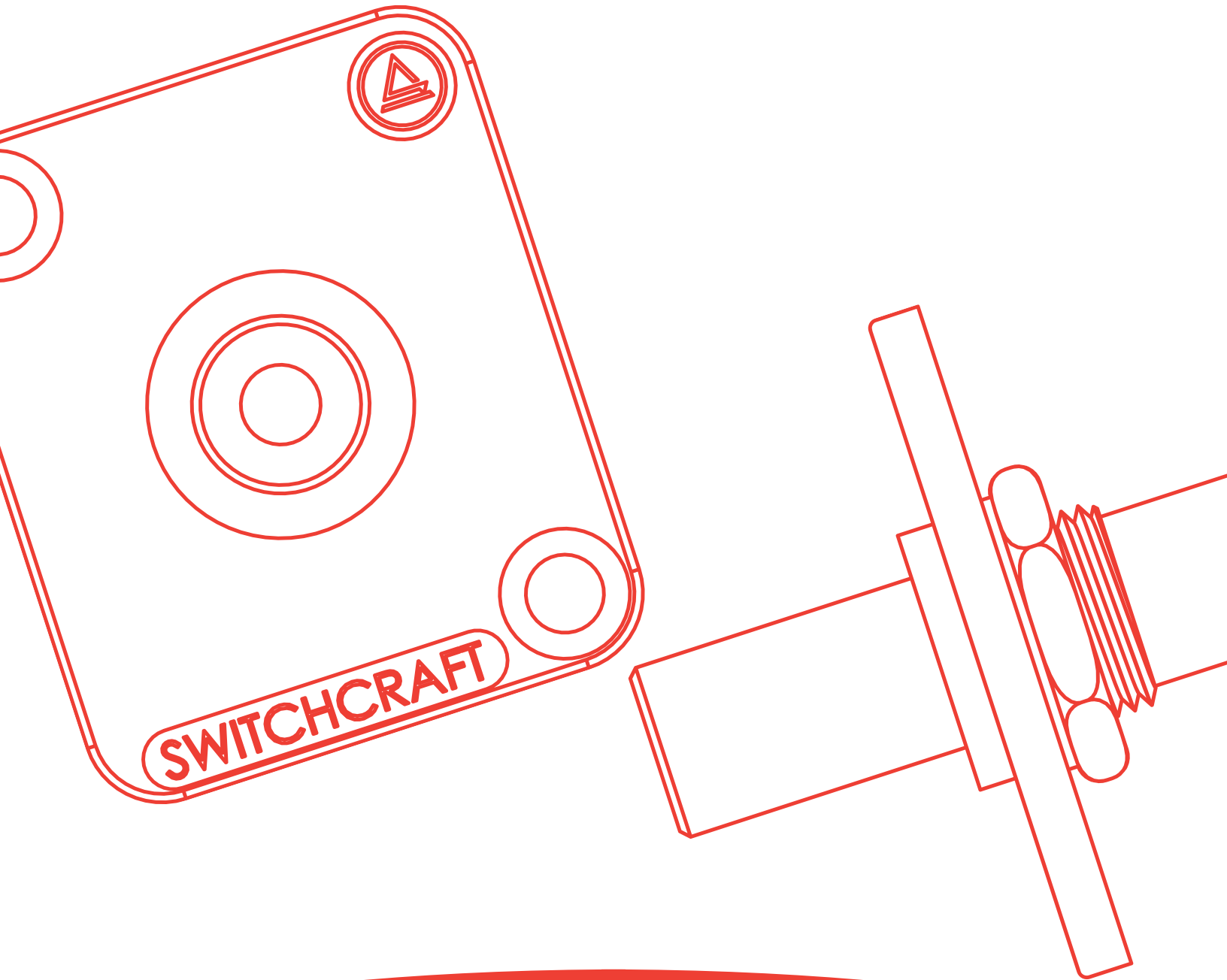
Email: [sales@clarke.com.au](mailto:sales@clarke.com.au)

[www.clarke.com.au](http://www.clarke.com.au)

[www.cseonline.com.au](http://www.cseonline.com.au)

**SWITCHCRAFT®**

A H E I C O C O M P A N Y



# EH SERIES: 3.5MM STEREO FEED-THRU ADAPTER

NPB | 617

# EH SERIES: 3.5MM STEREO FEED-THRU ADAPTER

NPB | 617



## FEATURES & BENEFITS

3.5mm Feed-Thru Connector available in nickel-plated or black finish EH panel housing

Compatible with Switchcraft QGPK Series Rack Panels and WP Series Wall Plates

All connectors fit into a standard XLR panel cutout

Available individually bagged or with mounting screws (Add PKG after part number if mounting screws are needed)

## APPLICATIONS

General Industrial Electronic Applications

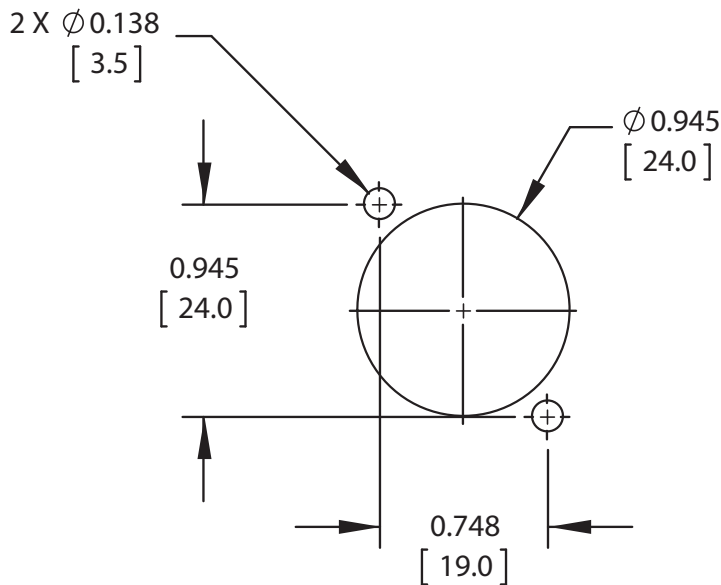
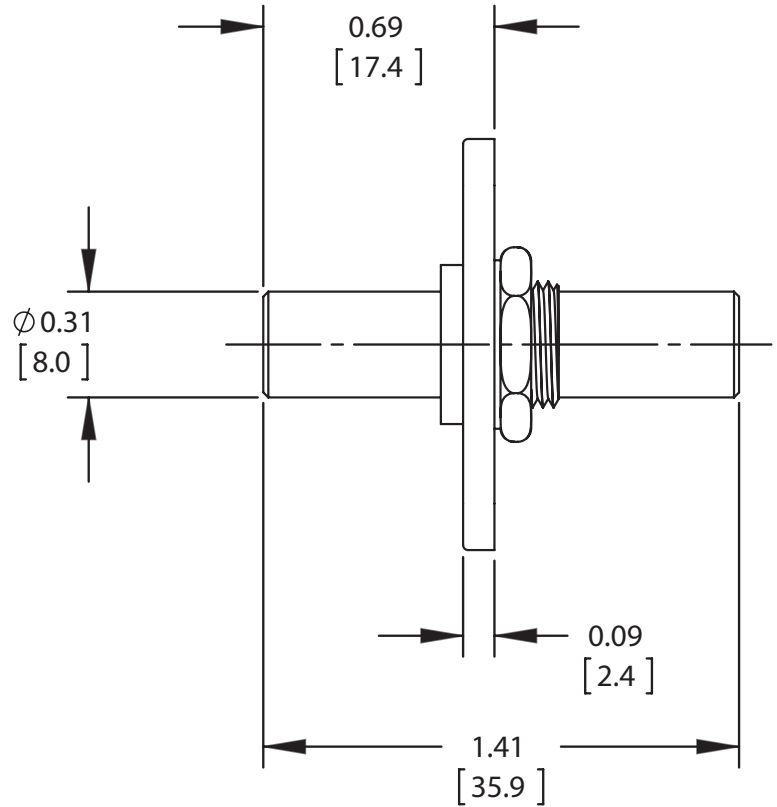
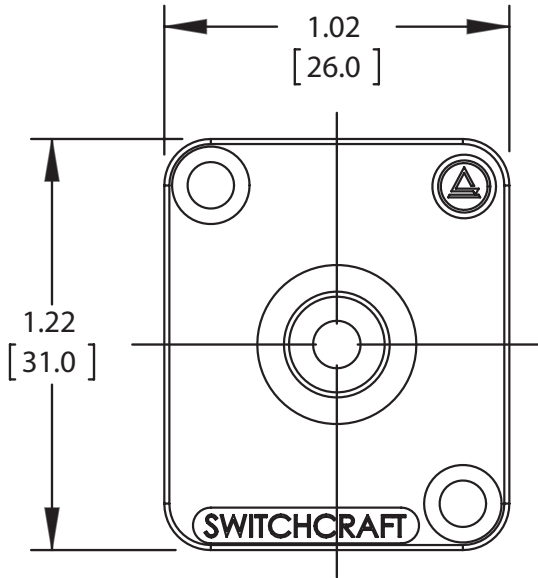
Custom I/O Panels and Wall Plates for Audio/Video

Pro Audio/Broadcast Equipment

Post Production and Mobile Production Installations

# EH SERIES: 3.5MM STEREO FEED-THRU ADAPTER

NPB | 617



RECOMMENDED PANEL LAYOUT

PART NUMBER	FLANGE FINISH
EH35MM2	NICKEL PLATED
EH35MM2B	BLACK CHROME PLATED

UNITS ARE LISTED IN INCHES [mm]. ALL DIMENSIONS ARE REFERENCE ONLY.

# EH SERIES: 3.5MM STEREO FEED-THRU ADAPTER

NPB | 617

## SPECIFICATIONS

### FEED THRU ADAPTER:

Body:	Brass, Nickel plated
Nut:	Steel, Nickel plated
Washer:	Steel, Nickel plated

### MECHANICAL:

Vibration:	Per Mil-Std 202G, Method 201A
Insertion Force:	10.0 Lbs max
Withdrawal force:	1.50 Lbs min.
Life Cycle:	5,000 min.

### ENVIRONMENT:

Thermal Shock:	Per Mil-Std 202G, Method 107G
Salt Spray test:	Per Mil- Std 202G, Method 101E
Humidity state:	Per Mil-Std 202G, Method 103B