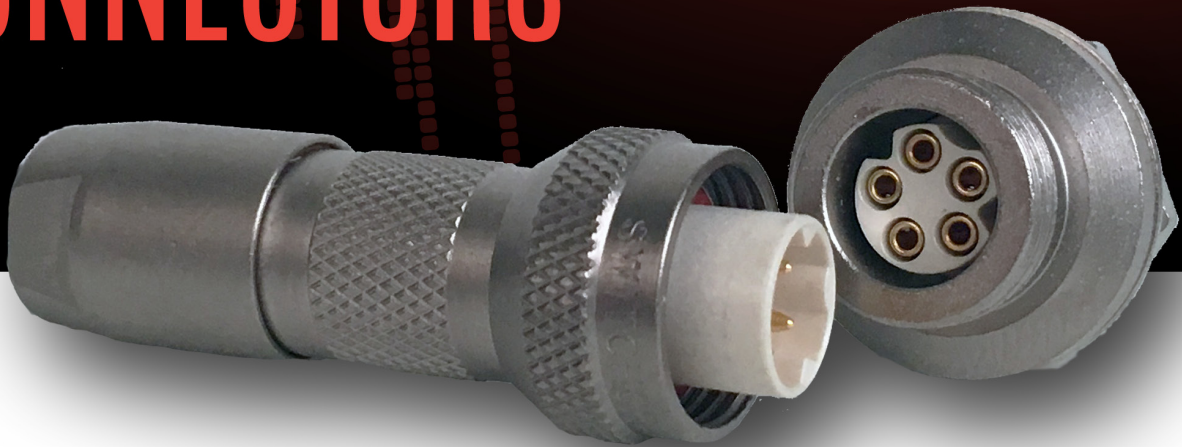


Clarke & Severn Electronics Ph: +612 9481 1944 Email sales@clarke.com.au
www.cseonline.com.au

TS SERIES
DURA-TWIST™
THREADED LOCKING
CONNECTORS



Switchcraft®
CONXALL®

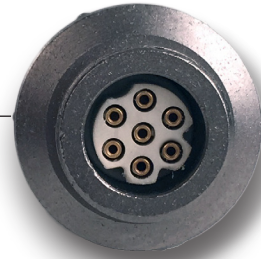
HARSH ENVIRONMENT CONNECTIVITY SOLUTIONS

Durable nickel plated brass housing is sealed to IP68



Threaded locking mechanism for a secure and easy connection

Available with up to 9 contacts



Rear or front mounting options available on panel mounts



Cable to cable in-line connector also available

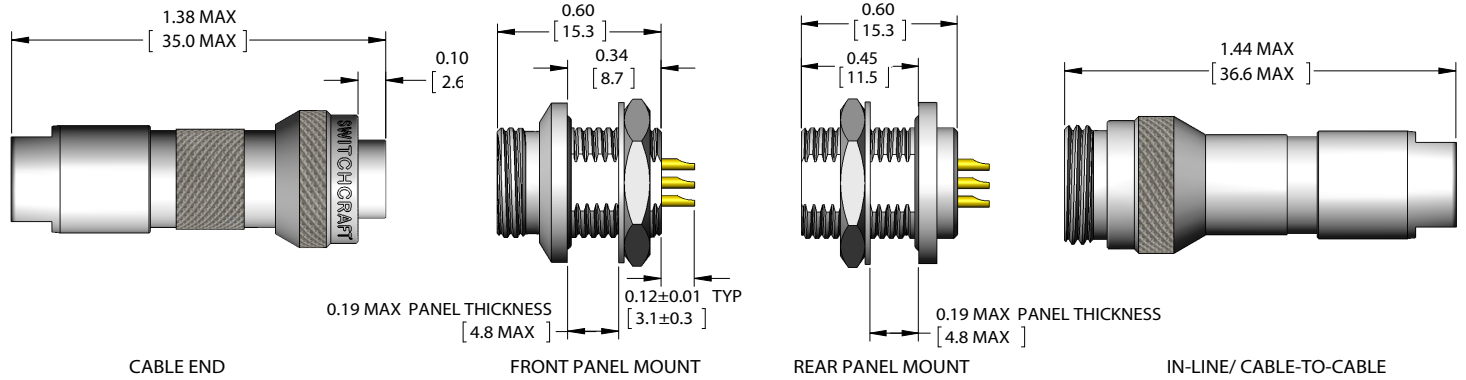
FEATURES

- Easy, blind mating
- Compact, 1/2" connector size
- Waterproof to IP68
- Can withstand the temperature and pressure of autoclave sterilization
- 360 ° EMI Shielding
- Available with #20 contacts or #26 contacts
- Rear mount or front mount panels available
- Contacts can be soldered or crimped (shipped unassembled, assembly tools available)
- Factory molded cables available with straight or right angle cable end options

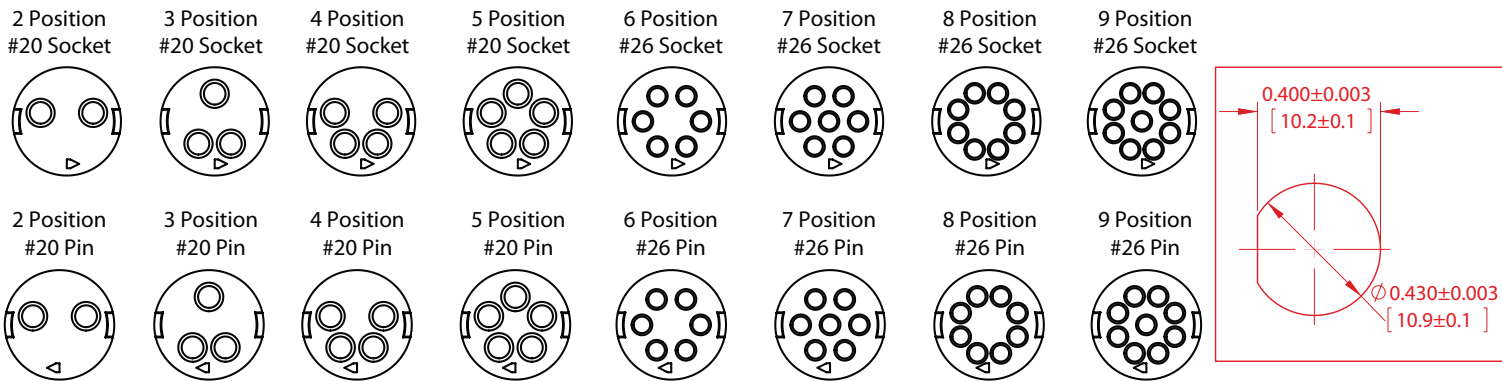
APPLICATIONS

- Medical devices
- Audio connections
- Outdoor data acquisition devices
- Test and Measurement
- Agriculture electronics
- Safety and Security
- Harsh environments
- General electronic applications

OVERALL DIMENSIONS



CONTACT LAYOUTS (REAR/WRING SIDE) / RECOMMENDED PANEL CUTOUT



ORDERING CODE

TS2 | X | X | X | XX | X | - | X

TS2 Series

Connector Type:

- C - Cable-End
- P - Panel Mount
- L - Cable-to-Cable

of contacts:

- 2-5 for #20
- 6-9 for #26

Gender:

- M - Male (Pin)
- F - Female (Socket)

Options:

- B - Rear Mount (panel only)
- K - Kit Packaging (one unit/bag)
- A - Factory Installed Contacts
- [BLANK] - Bulk Packaging

Clamp Set per Cable O.D. Range for Cable-End and Cable-to-Cable only:

- A - 0.110 - 0.140 [2.8 - 3.6]
- B - 0.140 - 0.180 [3.6 - 4.6]
- C - 0.180 - 0.216 [4.6 - 5.5]

Contact Size:

- 20 - 20, 22, 24, 26 AWG wires
- 26 - 26, 28, 30 AWG wires

Sealing Caps (Optional)

Cable End: **TS2CCAP**

Panel: **TS2PCAP**

Cable to Cable: **TS2LCAP**

SPECIFICATIONS

MECHANICAL:

Mating / Locking Type:	Threaded coupling
Life:	5,000 cycles minimum
Operating Forces:	10 lb. [44.5 N] max. insertion/withdrawal
Vibration:	Mil-Std 202G Method 201A
Panel Hex Nut Torque:	40 in-lb [4.5 Nm] maximum
Cable Securing System:	Threaded on metal clamp

ELECTRICAL:

Voltage Rating:	125 V AC/DC for 2-5 contacts 30 V AC/DC for 6-9 contacts
Current Rating:	10A max for 2 position 2A max for 9 position Refer to website for detailed information
Insulation Resistance:	1000 MΩ minimum
Contact Resistance:	10 mΩ typical

ENVIRONMENTAL:

Temperature Limits:	-40°C to +135°C (-40°F to +275°F)
Operating Temperature:	Refer to website for detailed information
Moisture Resistance:	Mil-Std 202G Method 106G
Insulation Resistance:	Mil-Std 202G Method 302
Thermal Shock:	Mil-Std 202G Method 107G
Salt Atmosphere :	Mil-Std 202G Method 101E
Ingress Protection :	IP66, IP67, IP68 per IEC60529, NEMA 250 6P

MATERIAL:

Outer Shell:	Copper alloy, electroless nickel plated
Hardware:	Copper alloy, nickel plated
Interior Metal Components:	Copper alloy, nickel plated
Electrical Insulator:	LCP, natural
Seal O-rings:	Thermoplastic elastomer
Contacts:	Copper Alloy, gold plated, with stainless steel locking clip