



NEW PRODUCT BULLETIN 652

AAA SERIES LOW-PROFILE XLR CONNECTORS



Switchcraft[®]
CONXALL[®]

HARSH ENVIRONMENT CONNECTIVITY SOLUTIONS



NEW DESIGN

SWITCHCRAFT QUALITY XLRs WITH A SPACE SAVING DESIGN

AAA Series XLRs from Switchcraft are known for their durability and ease of use. This new low-profile design pairs the same connector body with a smaller plastic backshell for applications where small size and low weight are critical. 3-7 position connectors with male or female contacts are available in 4 different colors. Other colors and combinations are available from the factory.



360° ADJUSTABLE RIGHT ANGLE

The cable exits the connector sideways for space savings and can easily be adjusted to face any direction



SIZE AND WEIGHT SAVING DESIGN

Space saving design is up to 75% lighter and 80% smaller than our R-series right angle XLRs

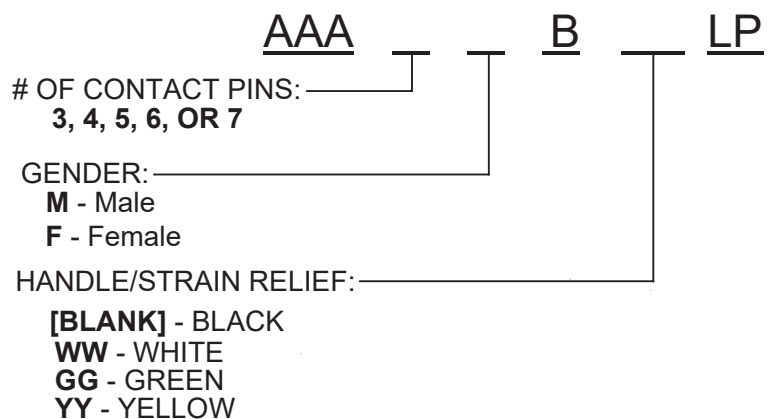


SWITCHCRAFT QUALITY

Built with the same quality Switchcraft is known for because they use the same connector body as our AAA series XLRs.

SPECIFICATIONS

Life: 5,000 insert/withdrawals min
 Electrical: 15A, 125V AC (3-pin)
 Max Cable Size: 0.205" [5.2mm]
 Housing: Plated Zinc Alloy
 Contacts: Silver Plated Copper (Gold plating available)
 Handle/Insulator: Thermoplastic



Contact factory for additional finishes, colors, and options