

# NANO 360<sup>®</sup> Plastic

## SureCon 360° IP68



### Electrical-Mechanical Specifications

- Performance: \_\_\_\_\_ Product family tested to and passed or exceeded the performance specifications of Table VIII of MIL-DTL-32139A
- Contact Resistance: \_\_\_\_\_ 71 Milliohm Max (71mV Drop Max) @ 1.0 Amps per MIL-DTL-32139A
- Current Rating: \_\_\_\_\_ 1 Amps per MIL-DTL-32139A
- Operating Temperature: \_\_\_\_\_ -55°C to 85°C
- Durability: \_\_\_\_\_ >2000 mating cycles min
- Insulation Resistance: \_\_\_\_\_ 5000 megohms @ 100 VDC
- Shock: \_\_\_\_\_ 100 g's with no discontinuities > 1 nanosecond
- Vibration: \_\_\_\_\_ 20 g's with no discontinuities > 1 nanosecond
- Mating/Unmating Force: \_\_\_\_\_ 3 oz (0.085 kg) max per contact

### Material Specifications

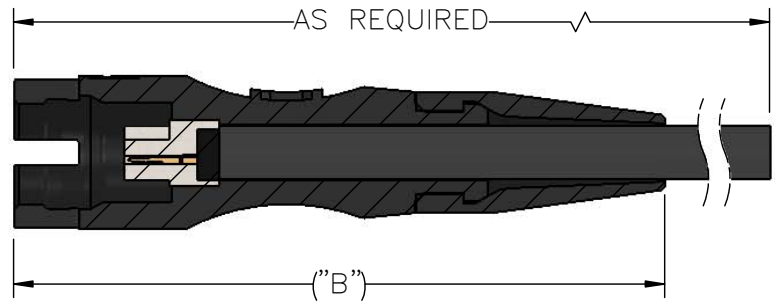
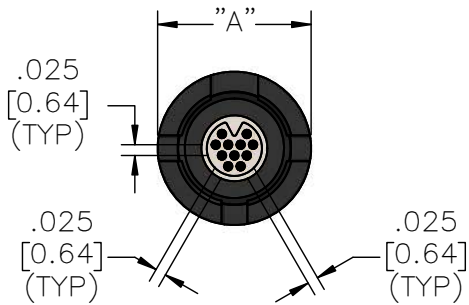
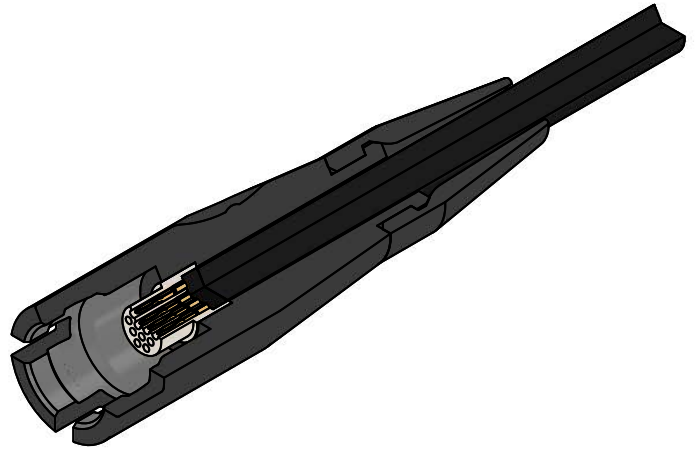
- Contact: \_\_\_\_\_ Copper Alloy per MIL-DTL-32139
- Contact Finish: \_\_\_\_\_ Gold per ASTM B488, Type II, Class 1.27, Code C Over Nickel Underplate
- Insulator: \_\_\_\_\_ Thermoplastic per MIL-M-24519
- O-Ring: \_\_\_\_\_ BUNA-N
- Cable (Shielded): \_\_\_\_\_ 32 AWG, (7-40) tinned copper, PFA color coded Black polyurethane jacket

### Shell Specifications

- Shell (Overmold): \_\_\_\_\_ Polyester
- Shell Relief: \_\_\_\_\_ Thermoplastic Polyurethane

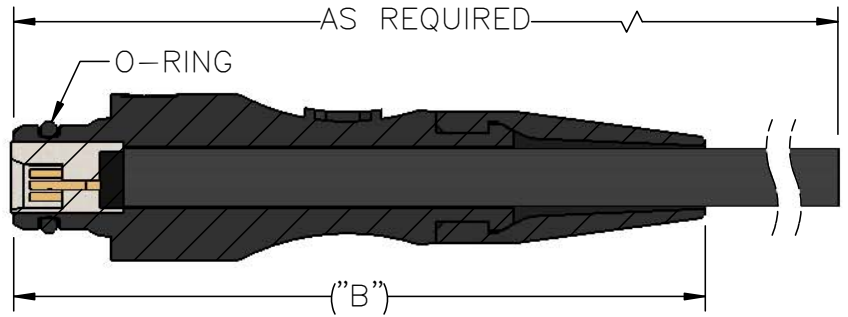
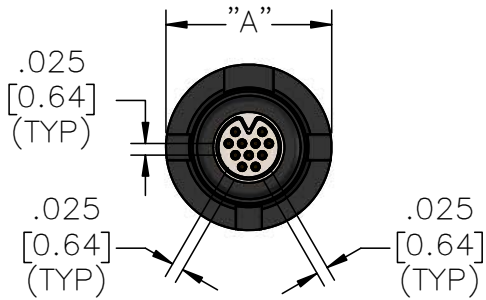
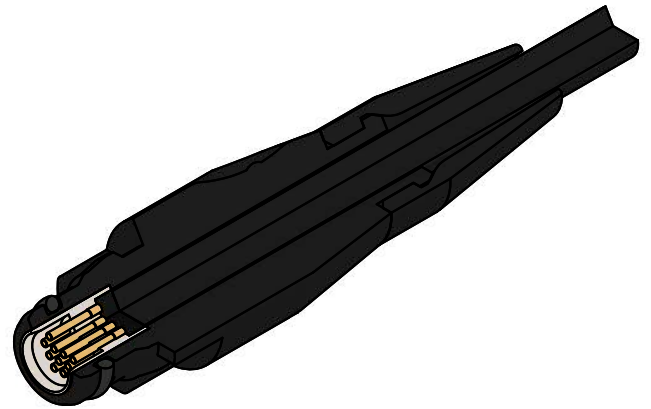
\* less resistance to salt spray test.

**Plastic - Pin - SureCon 360° -  
Cabled - Overmold - Inline**  
ONCP-WC-OM-IS



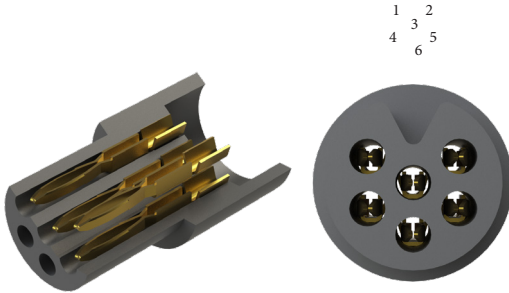
Part #	Contacts	English (IN)		Metric (MM)	
		A	B	A	B
A79300-001	6	0.325	1.250	8.26	31.75
A79303-001	11	0.356	1.510	9.04	38.35
A79306-001	16	0.384	1.890	9.75	48.01

**Plastic - Socket - SureCon 360° -  
Cabled - Overmold - Inline**  
ONCS-WC-OM-IS

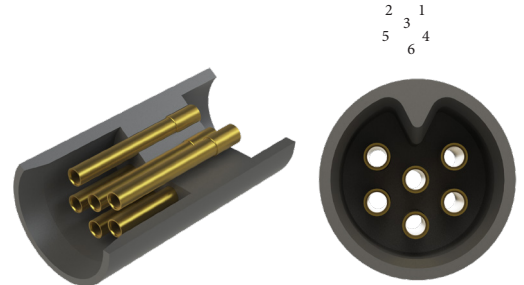


Part #	Contacts	English (IN)		Metric (MM)	
		A	B	A	B
A79301-001	6	0.330	1.460	8.38	37.08
A79304-001	11	0.360	1.490	9.14	37.85
A79307-001	16	0.380	1.670	9.65	42.42

# SureCon 360° IP68

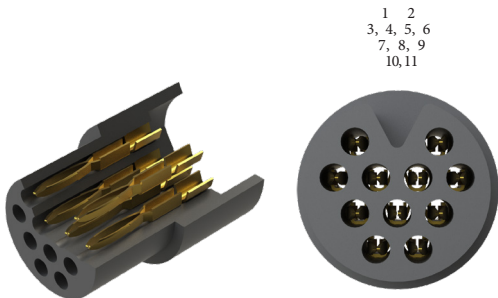


**6 Pin Connector**

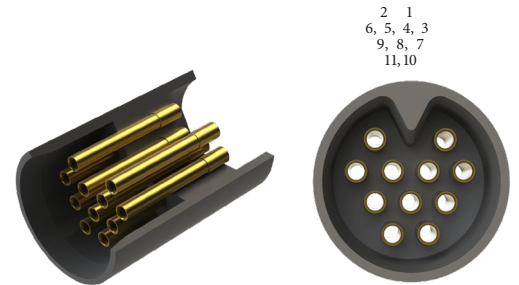


**6 Socket Connector**

28-Contact PFA Color Code	
Socket #	Color
1	Black
2	Brown
3	Red
4	Orange
5	Yellow
6	Green
7	Blue
8	Violet
9	Gray
10	White
11	White/Black
12	White/Brown
13	White/Red
14	White/Orange
15	White/Yellow
16	White/Green



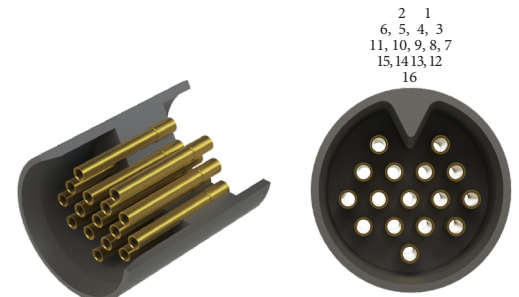
**11 Pin Connector**



**11 Socket Connector**



**16 Pin Connector**



**16 Socket Connector**

# SureCon 360° IP68

Series	# of Contacts	Termination Type	Shell Material and Finish	Shell Type	Options
<b>ONC</b>	6 11 16	<b>WC</b> Cable	<b>IS</b> Inline Shell (Male)	<b>Standard:</b> <b>Plastic Overmold</b>	<b>OM</b> Overmolded Strain Relief
Male (P - Pin)					
Female (S - Socket)		<b>Wire/Cable Length:</b> 18.0=18.0" Standard Option "XX.X" = Custom Length i.e. 23.4"	<b>IS</b> Inline Shell (Female)		<b>RH</b> RoHS COMPLIANT
		32 AWG Max			

Example:  
ONCS-11-WC-18.0-C-COM

