

MICRO 360[®] Metal

Micro Circular Twistlock *Optional IP68 Rating*



Electrical-Mechanical Specifications

- Performance: _____ Product family tested to and passed or exceeded the performance specifications of Table VIII of MIL-DTL-83513
- Contact Resistance: _____ 26 Milliohm Max (65mV Drop Max) @ 2.5 Amps per MIL-DTL-83513
- Current Rating: _____ 3 Amps per MIL-DTL-83513
- Operating Temperature: _____ -55°C to 125°C (200°C with High Temp Epoxy)
IP68 overmold -55°C to 85°C
- Durability: _____ >2000 mating cycles min
- Insulation Resistance: _____ 5000 megohms @ 500 VDC
- Shock: _____ 50 g's with no discontinuities > 1 microsecond
- Vibration: _____ 20 g's with no discontinuities > 1 microsecond
- Mating/Unmating Force: _____ 3 oz (85 g) typical per contact
- Thermal Vacuum Outgassing (Space Class): _____ NASA SP-R-0022

Material Specifications

- Contact: _____ Copper Alloy Per MIL-DTL-83513
- Contact Finish: _____ Gold per ASTM B488, Type II, Class 1.27, Code C
Over Nickel Underplate
- Insulator: _____ Thermoplastic per MIL-M-24519
- Overmold: _____ Black Thermoplastic Polyurethane
- O-Ring: _____ BUNA-N
- Cable (Shielded): _____ 26 AWG, (7-34) Tinned Copper, PFA color coded, Black
Polyurethane Jacket
- Wire: _____ 26 AWG (7-34) PTFE, color coded

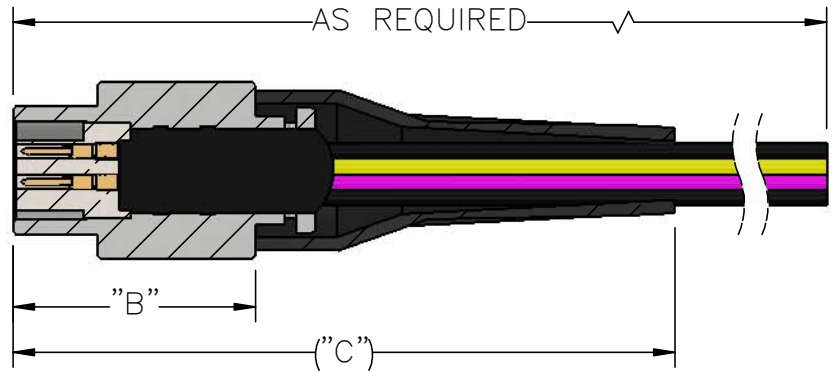
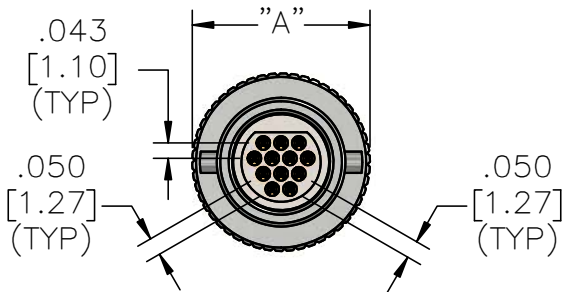
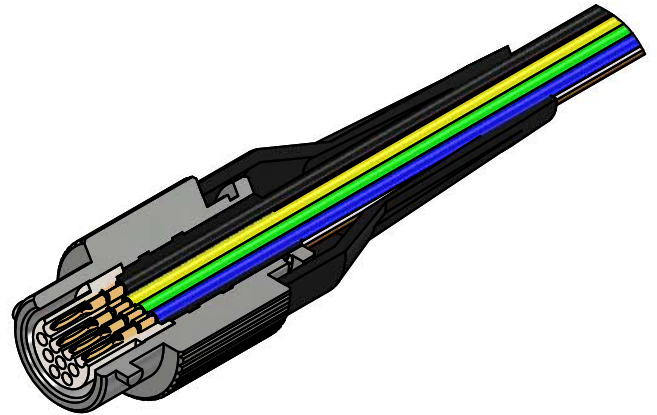
Shell Options

- Brass Alloy 360 1/2 Hard: _____ Electroless Nickel per SAE-AMS-2404
Black Nickel per MIL-P-18317
- Stainless Steel, 300 Series: _____ Passivated per SAE-AMS-2700
Black Oxide Finish per MIL-DTL-13924, Class 4*, Passivated per SAE-AMS-2700

* less resistance to salt spray test.

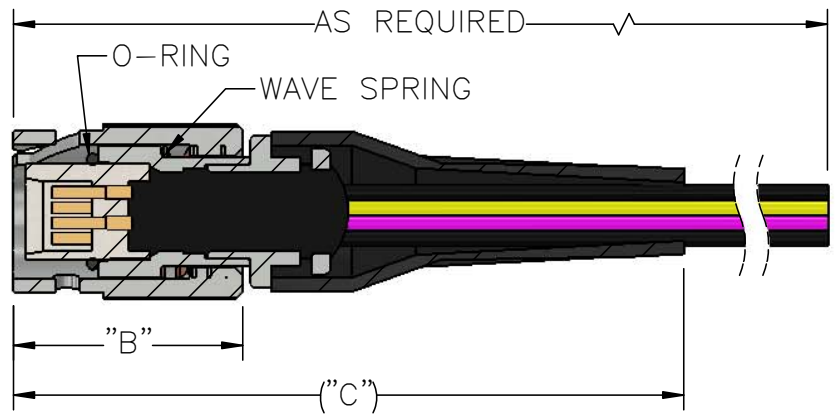
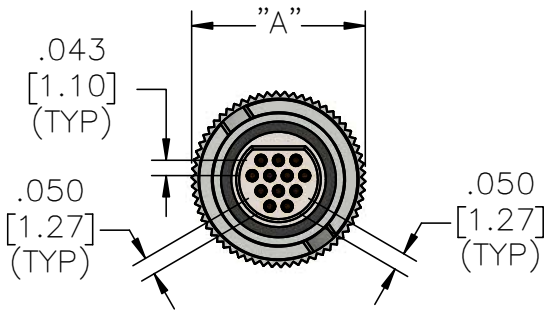
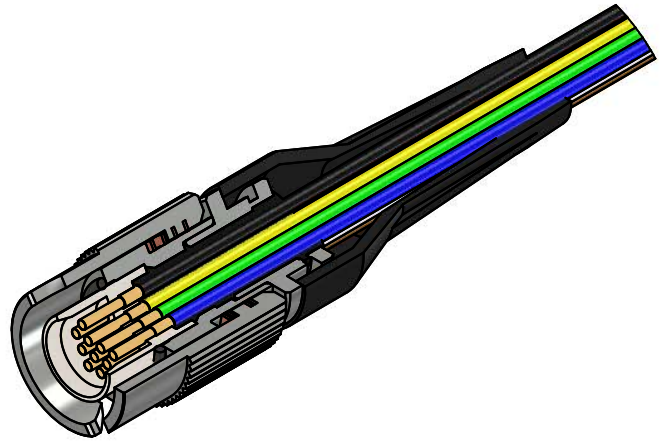
Metal - Pin - Twist-Lock - Wired - Inline - Strain Relief

TMCP-WD-IS-SR



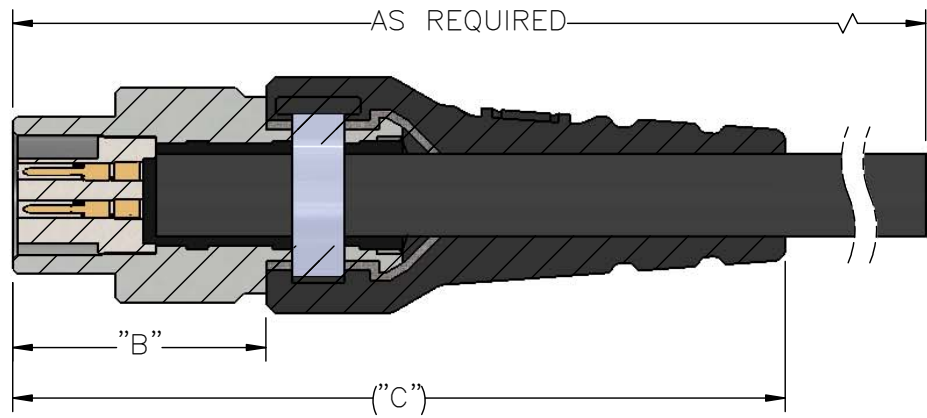
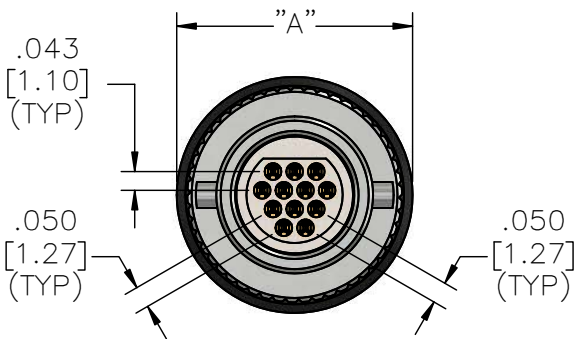
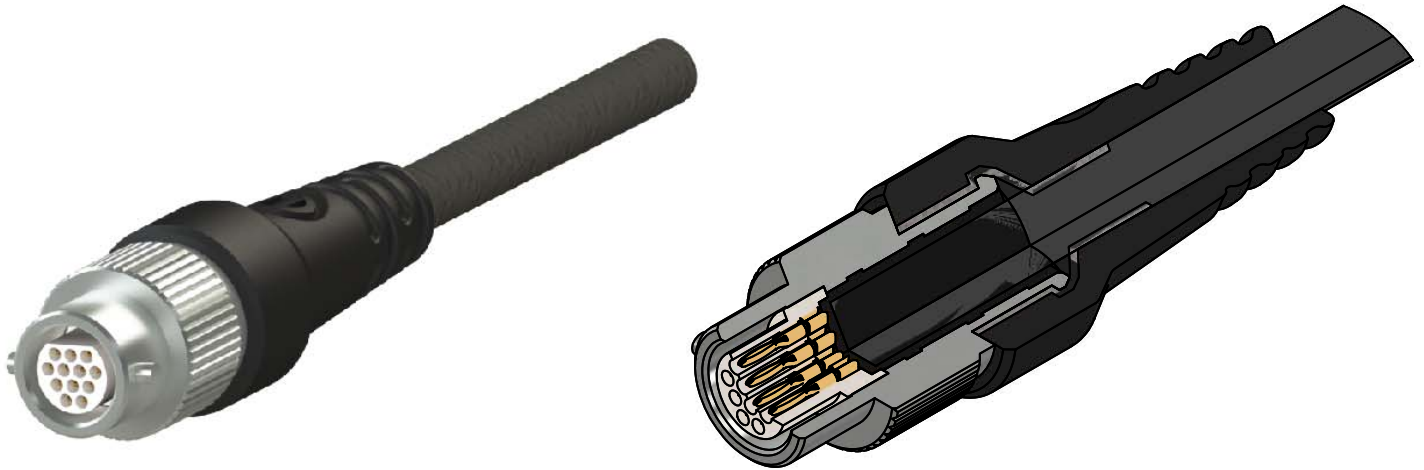
Part #	Contacts	English (IN)			Metric (MM)		
		A	B	C	A	B	C
A22228-001	5	0.450	0.680	1.900	11.43	17.27	48.26
A22230-001	12	0.500			12.70		
A22232-001	16	0.560			14.22		
A22234-001	27	0.610			15.49		
A22523-001	39	0.650	0.585	2.200	16.51	14.86	55.88

Metal - Socket - Twist-Lock - Wired - Inline - Strain Relief TMCS-WD-IS-SR



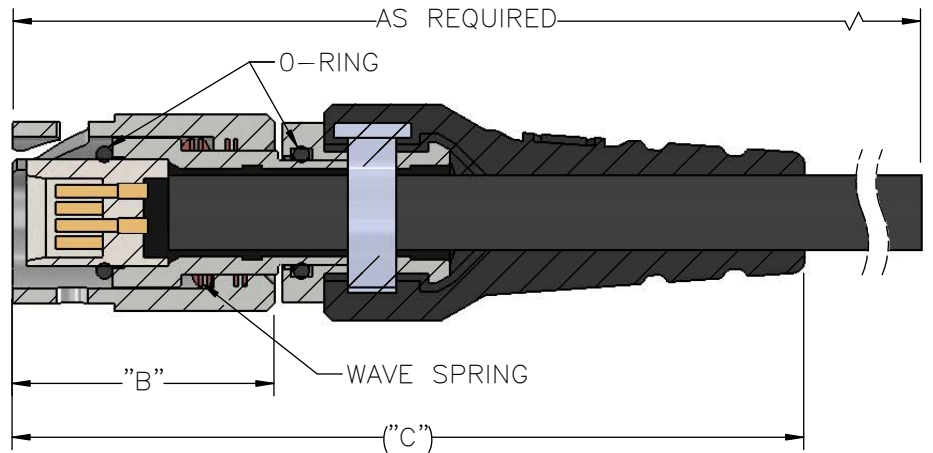
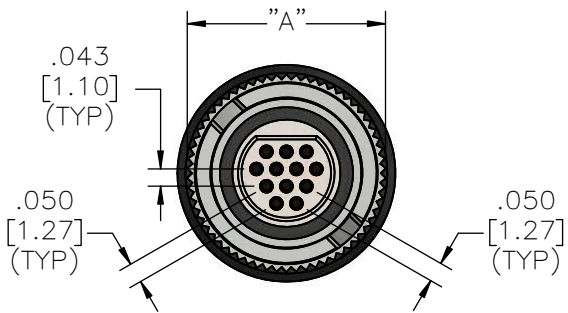
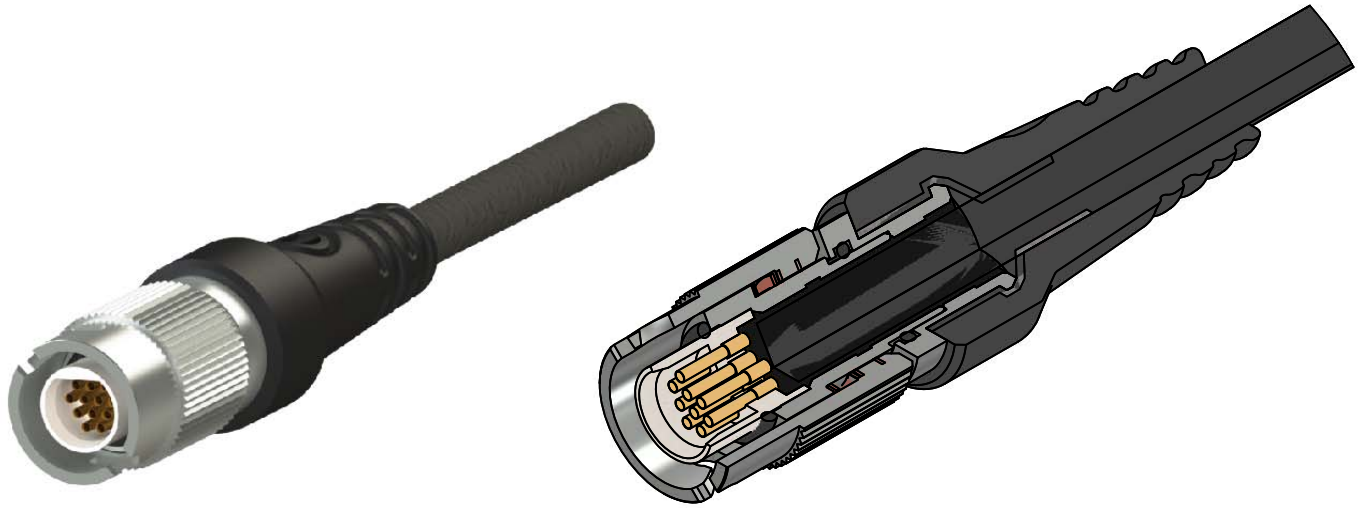
Part #	Contacts	English (IN)			Metric (MM)		
		A	B	C	A	B	C
A22229-001	5	0.450	0.660	1.900	11.43	16.76	48.26
A22231-001	12	0.500			12.70		
A22233-001	16	0.560			14.22		
A22235-001	27	0.620	0.630	2.100	15.75	16.00	53.34
A22533-001	39	0.670			17.02		

**Metal - Pin - Twist-Lock - Cabled -
Overmold - Inline
TMCP-WC-OM-IS**



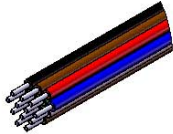













Part #	Contacts	English (IN)			Metric (MM)		
		A	B	C	A	B	C
A22352-001	5	0.510	0.590	1.740	12.95	14.99	44.20
A22350-001	12	0.550		1.790	13.97		45.47
A22348-001	16	0.600		1.890	15.24		48.01
A22346-001	27	0.670	0.580	1.980	17.02	14.73	50.29
-	39	Contact Omnetics for dimensions					

**Metal - Socket - Twist-Lock - Cable -
Overmold - Inline
TMCS-WC-OM-IS**



Part #	Contacts	English (IN)			Metric (MM)		
		A	B	C	A	B	C
A22351-001	5	0.510	0.660	1.930	12.95	16.76	49.02
A22349-001	12	0.550		1.980	13.97		50.29
A22347-001	16	0.600		2.060	15.24		52.32
A22345-001	27	0.670	0.630	2.150	17.02	16.00	54.61
-	39	Contact Omnetics for dimensions					

TWIST LOCK MICRO CIRCULAR DISCRETE LEADWIRE/CABLE (TYPE WD/WC)

Series	# of Contacts	Termination Type	Shell Material and Finish	Shell Type	Options, cont.
TMC	5	WD: Discrete Lead Wire 	Standard N: Nickel Plated Brass 	IS: Inline Shell (Shell Only) 	C Color Coded 
	12				
Male (P - Pin)	16	WC: Cable 	Non-Standard Options BN: Black Nickel Plated Brass 	Options SR: Inline Shell w/ Strain Relief 	OR O-Ring 
	27				
	39				
Female (S - Socket)		Wire/Cable Length: 18.0=18.0" Standard Option "XX.X" = Custom Length i.e. 23.4" 26 AWG Max	P: Passivated Stainless Steel 	ST: Inline Shell w/ Shrink Tube 	IP68 
			OX: Black Oxide Finished Steel 		RH RoHS COMPLIANT 
					<i>Non-Standard Option</i> OM Overmold (Contact Omnetics for Overmold Information & Availability) 

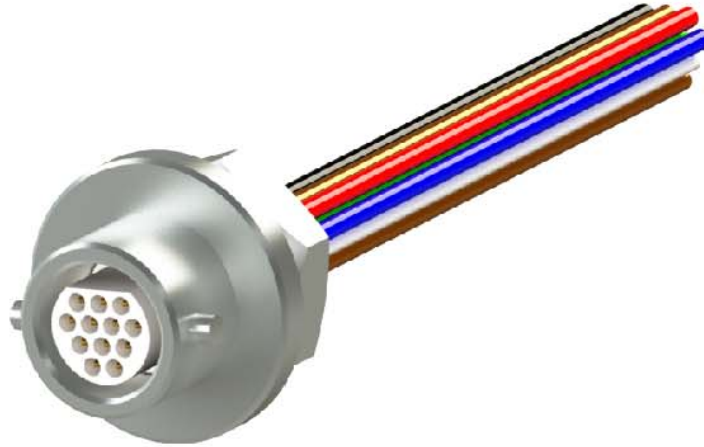
EXAMPLE:
TMCS-12-WD-10.0-C-IS-N-ST-OR



MICRO 360[®] Metal

Micro Circular Twist-Lock Panel Mount

Optional IP68 Rating



Electrical-Mechanical Specifications

- Performance: _____ Product family tested to and passed or exceeded the performance specifications of Table VIII of MIL-DTL-83513
- Contact Resistance: _____ 26 Milliohm Max (65mV Drop Max) @ 2.5 Amps per MIL-DTL-83513
- Current Rating: _____ 3 Amps per MIL-DTL-83513
- Operating Temperature: _____ -55°C to 125°C (200°C with High Temp Epoxy)
IP68 overmold -55°C to 85°C
- Durability: _____ >2000 mating cycles min
- Insulation Resistance: _____ 5000 megohms @ 500 VDC
- Shock: _____ 50 g's with no discontinuities > 1 microsecond
- Vibration: _____ 20 g's with no discontinuities > 1 microsecond
- Mating/Unmating Force: _____ 3 oz (85 g) typical per contact
- Thermal Vacuum Outgassing (Space Class): _____ NASA SP-R-0022

Material Specifications

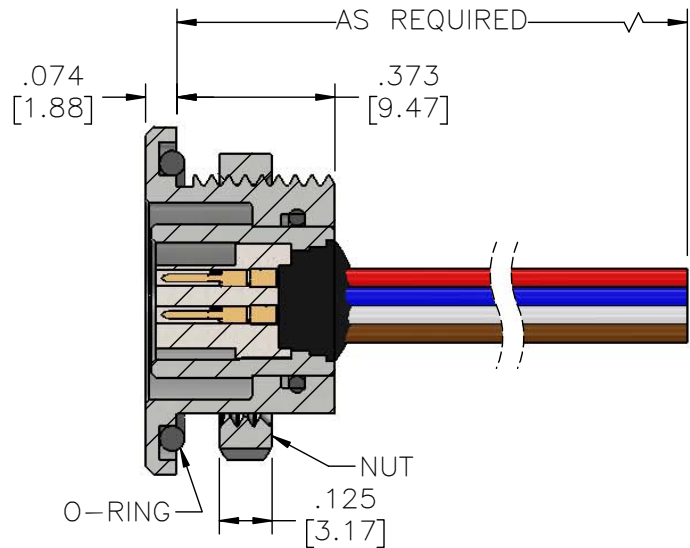
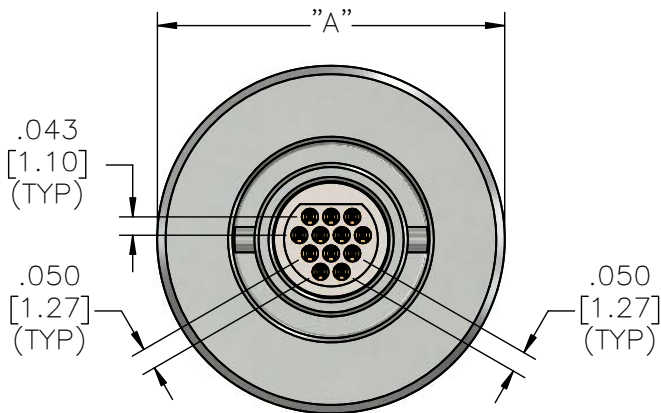
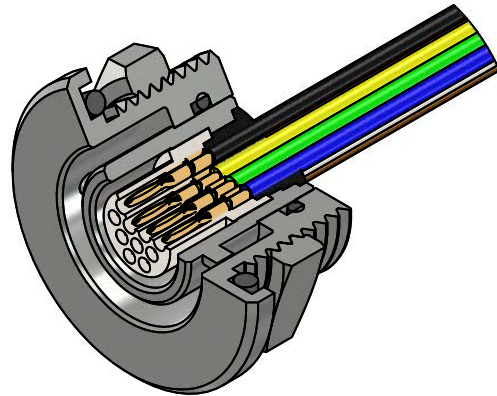
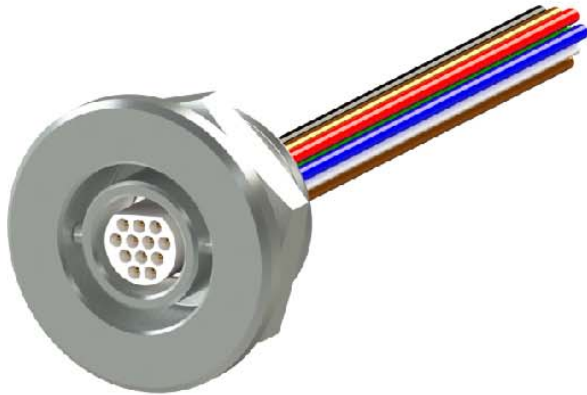
- Contact: _____ Copper Alloy Per MIL-DTL-83513
- Contact Finish: _____ Gold per ASTM B488, Type II, Class 1.27, Code C
Over Nickel Underplate
- Insulator: _____ Thermoplastic per MIL-M-24519
- Overmold: _____ Black Thermoplastic Polyurethane
- O-Ring: _____ BUNA-N
- Cable (Shielded): _____ 26 AWG, (7-34) Tinned Copper, PFA color coded, Black
Polyurethane Jacket
- Wire: _____ 26 AWG (7-34) PTFE, color coded

Shell Options

- Brass Alloy 360 1/2 Hard: _____ Electroless Nickel per SAE-AMS-2404
Black Nickel per MIL-P-18317
- Stainless Steel, 300 Series: _____ Passivated per SAE-AMS-2700
Black Oxide Finish per MIL-DTL-13924, Class 4*, Passivated per SAE-AMS-2700

* less resistance to salt spray test.

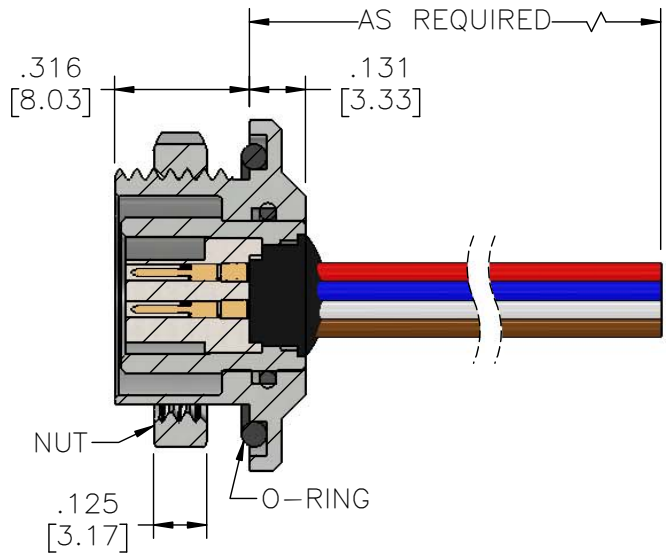
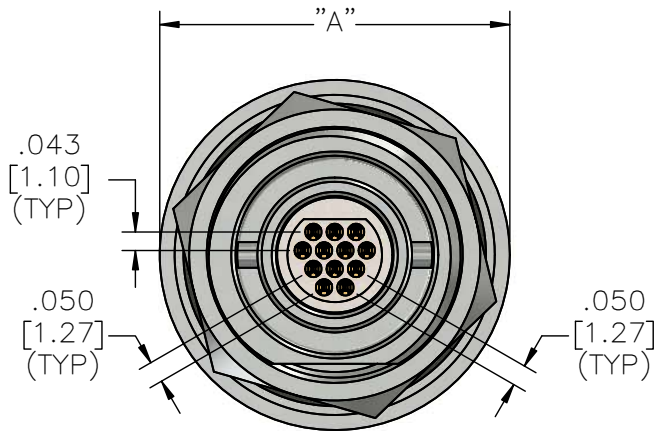
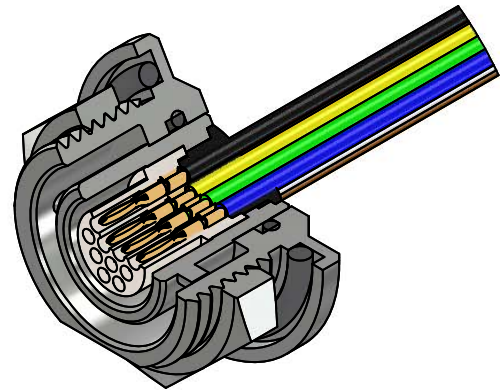
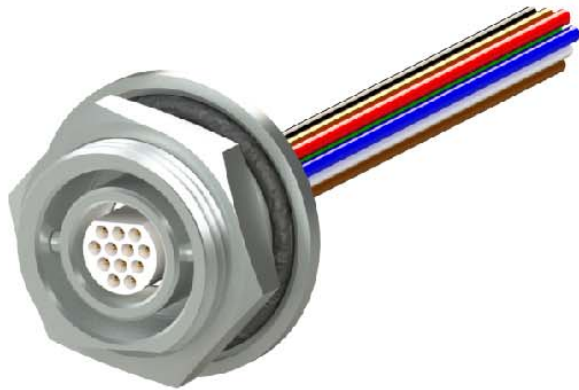
Metal - Pin - Twist-Lock - Wired - Front Panel - IP68 TMCP-WD-FP-IP68



Part #	Contacts	English	Metric
		(IN)	(MM)
A22359-001	5	A	A
A22358-001	12	0.750	19.05
A22357-001	16	0.820	20.83
A22356-001	27	0.875	22.23
A22356-001	27	0.990	25.15
A22520-001	39	1.100	27.94

Metal - Pin - Twist-Lock - Cable - Rear Panel - IP68

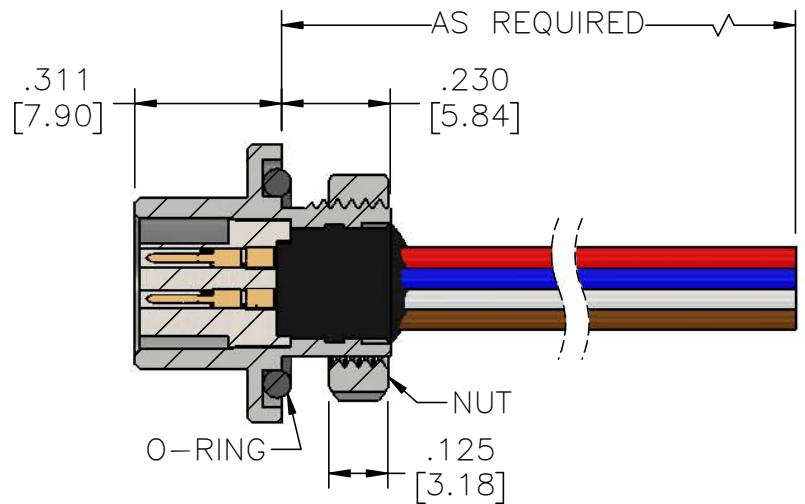
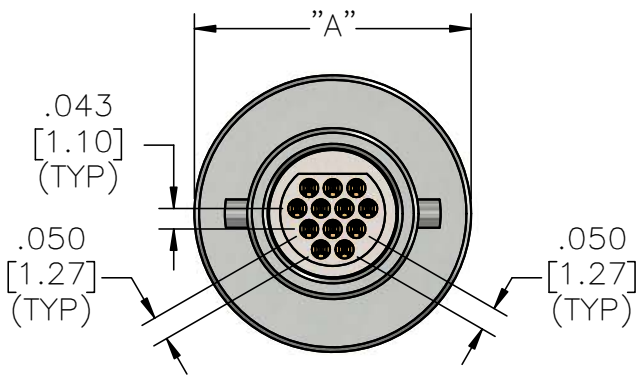
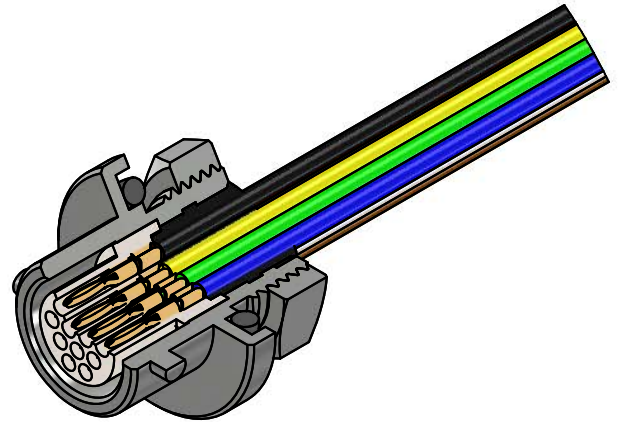
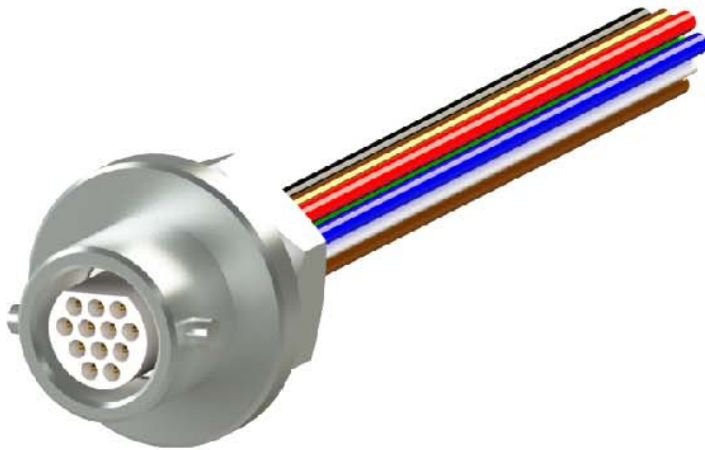
TMCP-WD-RP-IP68



Part #	Contacts	English	Metric
		(IN)	(MM)
A22363-001	5	A	A
A22362-001	12	0.750	19.05
A22361-001	16	0.820	20.83
A22360-001	27	0.875	22.23
A22360-001	27	0.990	25.15
A22521-001	39	1.100	27.94

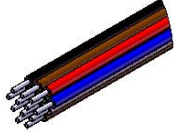






Metal - Pin - Twist-Lock - Wired - Protruding Panel - IP68

TMCP-WD-PP-IP68



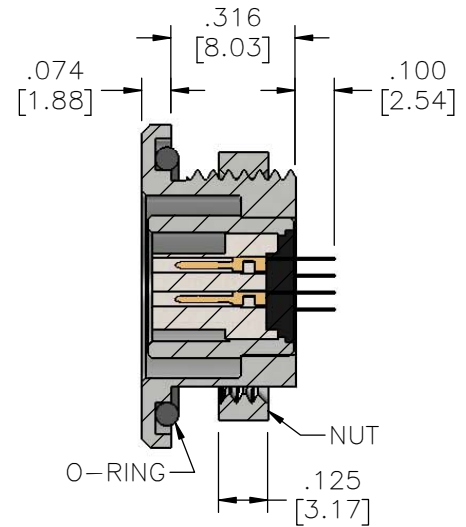
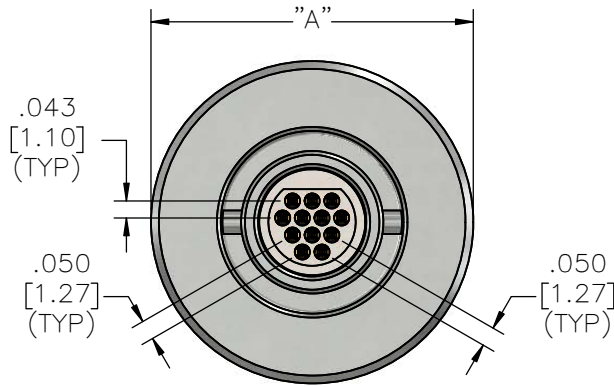
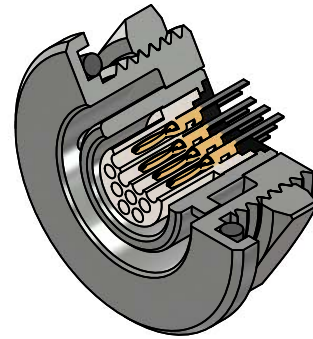
Part #	Contacts	English	Metric
		(IN)	(MM)
A22367-001	5	A	A
A22366-001	12	0.541	13.74
A22365-001	16	0.586	14.88
A22364-001	27	0.662	16.81
-	39	Contact Omnetics for dimensions	

TWIST-LOCK MICRO CIRCULAR DISCRETE LEADWIRE/CABLE (TYPE WD/WC)

Series	# of Contacts	Termination Type	Shell Material and Finish	Shell Type	Options			
TMC Male (P - Pin)	5	WD: Discrete Lead Wire 	Standard N: Nickel Plated Brass 	FP: Front Panel Mount (Male Only) 	C Color Coded 			
	12							
	16	WC: Cable 	Non-Standard Options BN: Black Nickel Plated Brass 	RP: Rear Panel Mount (Male Only) 	OR O-Ring 			
	27							
	39					P: Passivated Stainless Steel 	PP: Protruding Panel Mount (Male Only) 	IP68 <div style="border: 1px solid black; padding: 2px; display: inline-block;">IP68</div>
						OX: Black Oxide Finished Steel 		
		Wire/Cable Length: 18.0=18.0" Standard Option "XX.X" = Custom Length i.e. 23.4" 26 AWG Max						
		EXAMPLE: TMCP-12-WC-10.0-N-RP-C-OR-ROHS						

Metal - Pin - Twist-Lock - Straight Tail - Front Panel

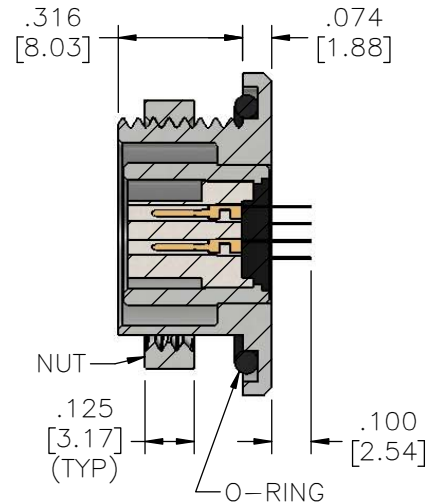
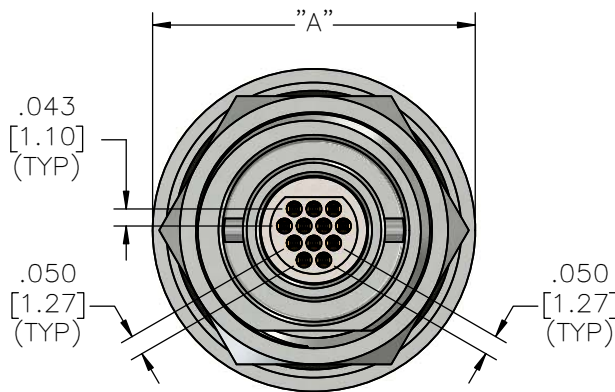
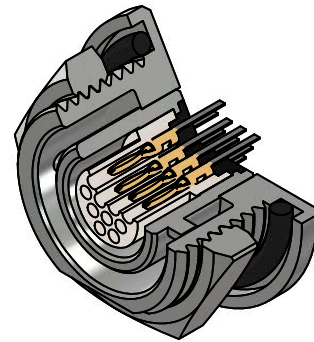
TMCP-DD-FP



	English (IN)	Metric (MM)
Contacts	A	A
5	0.750	19.05
12	0.820	20.83
16	0.875	22.23
27	0.990	25.15
39	Contact Omnetics for dimensions	



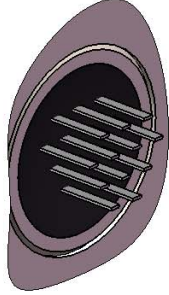







Metal - Pin - Twist-Lock - Straight Tail - Rear Panel

TMCP-DD-RP



	English (IN)	Metric (MM)
Contacts	A	A
5	0.750	19.05
12	0.820	20.83
16	0.875	22.23
27	0.990	25.15
39	Contact Omnetics for dimensions	

TWIST-LOCK MICRO CIRCULAR STRAIGHT THRU-HOLE (TYPE DD)

Series	# of Contacts	Termination Type	Shell Material and Finish	Shell Type	Options
TMC Male (P - Pin) 	5	DD: Straight Thru-Hole  	Standard	FP: Front Panel Mount 	OR O-Ring 
	12		N: Nickel Plated Brass 		
	16		Non-Standard Options	RP: Rear Panel Mount 	IP68 IP68
	27		BN: Black Nickel Plated Brass 		
39	P: Passivated Stainless Steel 				
			OX: Black Oxide Finished Steel 		

EXAMPLE:
TMCP-05-DD-FP-N-OR

