

# MICRO 360<sup>®</sup> Metal

## Micro Circular Threaded *Optional IP68 Rating*



### Electrical-Mechanical Specifications

- Performance: \_\_\_\_\_ Product family tested to and passed or exceeded the performance specifications of Table VIII of MIL-DTL-83513
- Contact Resistance: \_\_\_\_\_ 26 Milliohm Max (65mV Drop Max) @ 2.5 Amps per MIL-DTL-83513
- Current Rating: \_\_\_\_\_ 3 Amps per MIL-DTL-83513
- Operating Temperature: \_\_\_\_\_ -55°C to 125°C (200°C with High Temp Epoxy)  
IP68 overmold -55°C to 85°C
- Durability: \_\_\_\_\_ >2000 mating cycles min
- Insulation Resistance: \_\_\_\_\_ 5000 megohms @ 500 VDC
- Shock: \_\_\_\_\_ 50 g's with no discontinuities > 1 microsecond
- Vibration: \_\_\_\_\_ 20 g's with no discontinuities > 1 microsecond
- Mating/Unmating Force: \_\_\_\_\_ 3 oz (85 g) typical per contact
- Thermal Vacuum Outgassing (Space Class): \_\_\_\_\_ NASA SP-R-0022

### Material Specifications

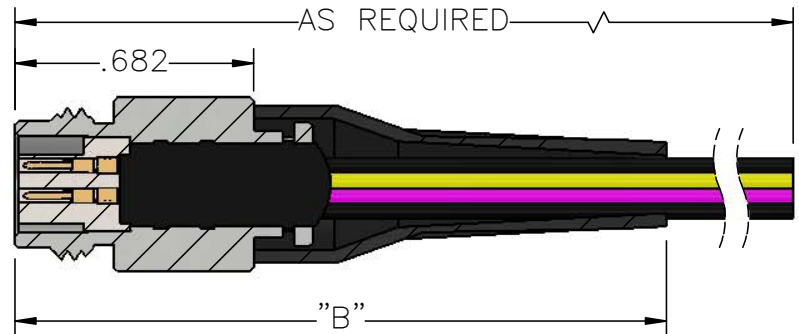
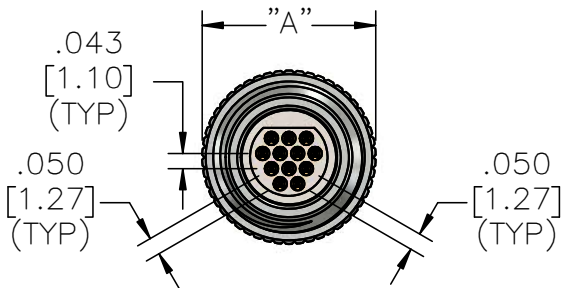
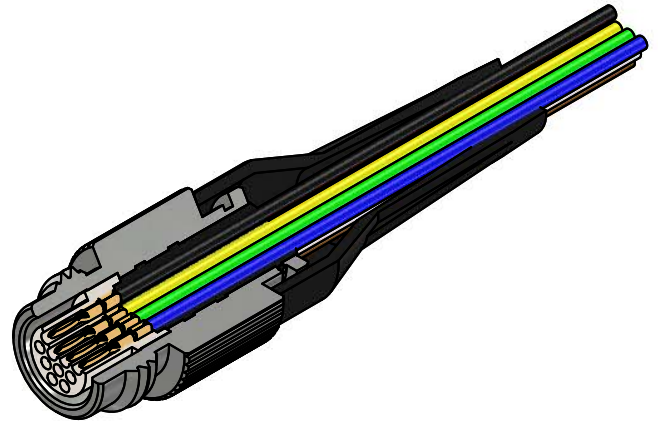
- Contact: \_\_\_\_\_ Copper Alloy Per MIL-DTL-83513
- Contact Finish: \_\_\_\_\_ Gold per ASTM B488, Type II, Class 1.27, Code C  
Over Nickel Underplate
- Insulator: \_\_\_\_\_ Thermoplastic per MIL-M-24519
- Overmold: \_\_\_\_\_ Black Thermoplastic Polyurethane
- O-Ring: \_\_\_\_\_ BUNA-N
- Cable (Shielded): \_\_\_\_\_ 26 AWG, (7-34) Tinned Copper, PFA color coded, Black  
Polyurethane Jacket
- Wire: \_\_\_\_\_ 26 AWG (7-34) PTFE, color coded

### Shell Options

- Brass Alloy 360 1/2 Hard: \_\_\_\_\_ Electroless Nickel per SAE-AMS-2404  
Black Nickel per MIL-P-18317
- Stainless Steel, 300 Series: \_\_\_\_\_ Passivated per SAE-AMS-2700  
Black Oxide Finish per MIL-DTL-13924, Class 4\*, Passivated per SAE-AMS-2700

\* less resistance to salt spray test.

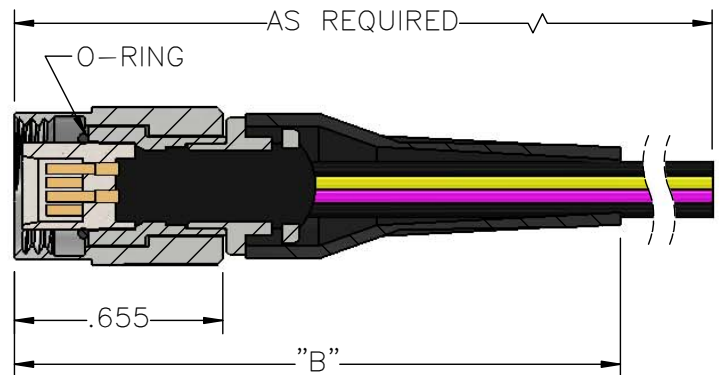
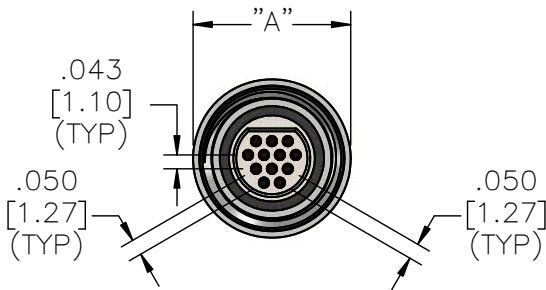
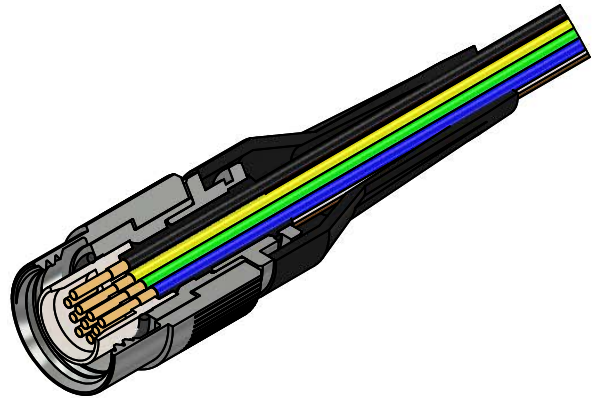
**Metal - Pin - Threaded -  
Wired - Inline - Strain Relief**  
MMCP-WD-IS-SR



Part #	Contacts	English (IN)		Metric (MM)	
		A	B	A	B
A22368-001	5	0.420	1.900	10.67	48.26
A22373-001	12	0.500		12.70	
A22378-001	16	0.560		14.22	
A22383-001	27	0.610	2.100	15.49	53.34
A22486-001	39	0.650	2.300	16.51	58.42

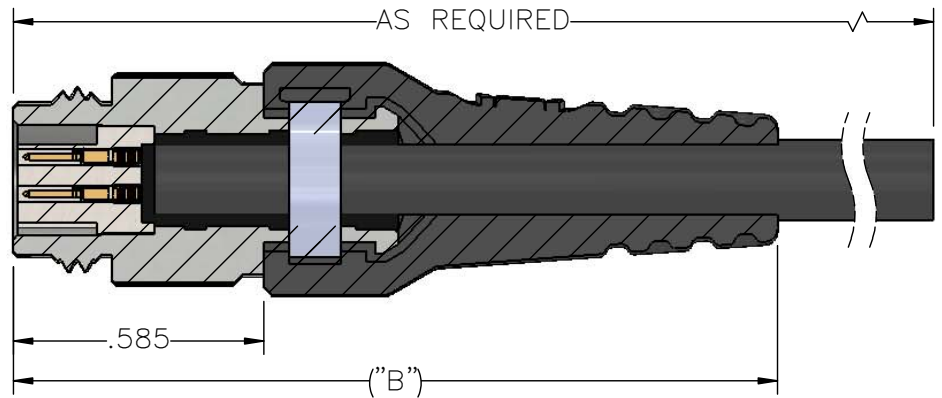
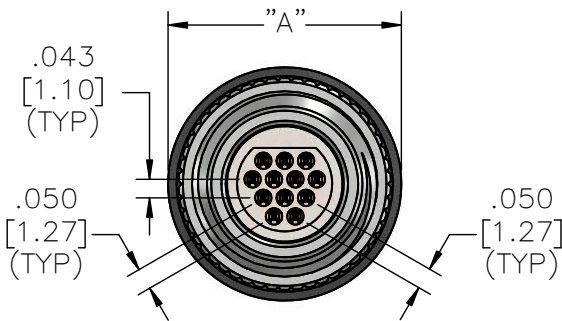
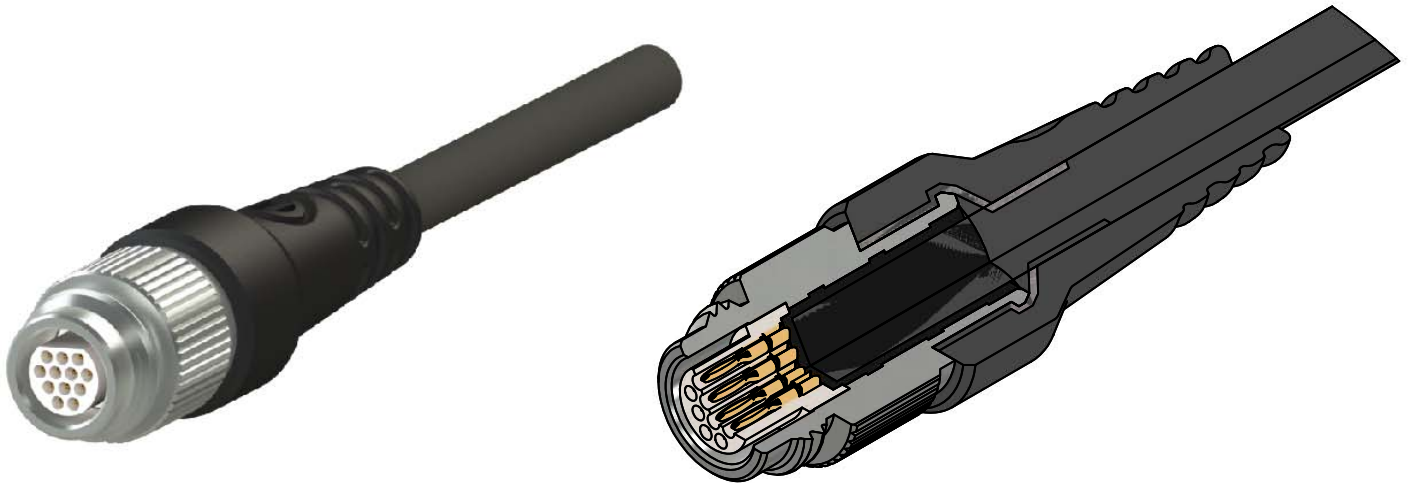
# Metal - Socket - Threaded - Wired - Inline - Strain Relief

MMCS-WD-IS-SR



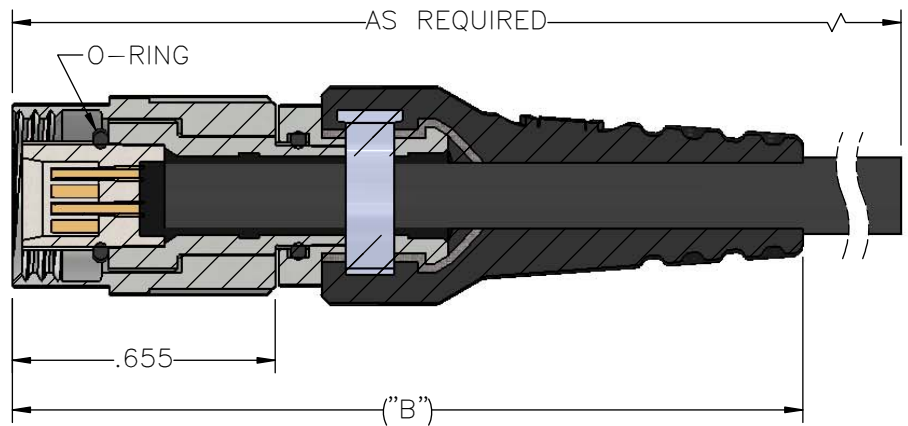
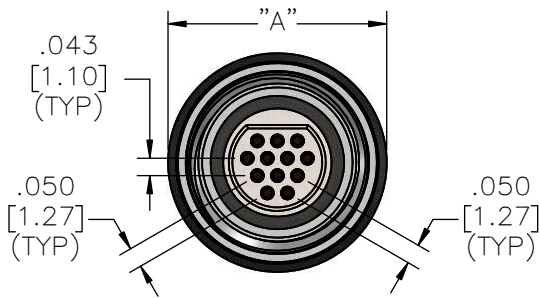
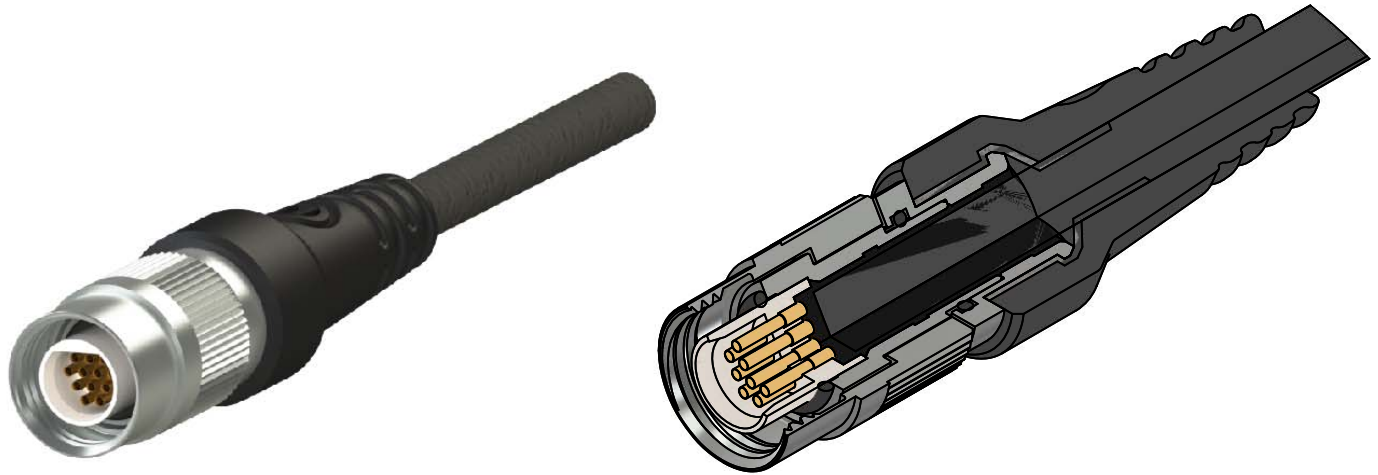
Part #	Contacts	English (IN)		Metric (MM)	
		A	B	A	B
A22372-001	5	0.420	1.900	10.67	48.26
A22377-001	12	0.500		12.70	
A22382-001	16	0.560		14.22	
A22387-001	27	0.610	2.100	15.49	53.34
A22488-001	39	0.680	2.400	17.27	60.96

**Metal - Pin - Threaded -  
Cabled - Overmold - Inline  
MMCP-WC-OM-IS**




Part #	Contacts	English (IN)		Metric (MM)	
		A	B	A	B
A22336-001	5	0.510	1.740	12.95	44.20
A22334-001	12	0.550	1.790	13.97	45.47
A22332-001	16	0.600	1.890	15.24	48.01
A22330-001	27	0.670	2.080	17.02	52.83
A22487-001	39	0.720		18.29	

**Metal - Socket - Threaded -  
Cabled - Overmold - Inline**  
MMCS-WC-OM-IS



Part #	Contacts	English (IN)		Metric (MM)	
		A	B	A	B
A22335-001	5	0.510	1.920	12.95	48.77
A22333-001	12	0.550	1.970	13.97	50.04
A22331-001	16	0.600	2.070	15.24	52.58
A22329-001	27	0.670	2.160	17.02	54.86
A22489-001	39	0.720		18.29	

# METAL MICRO CIRCULAR THREADED DISCRETE LEADWIRE/CABLE ( TYPE WD/WC )

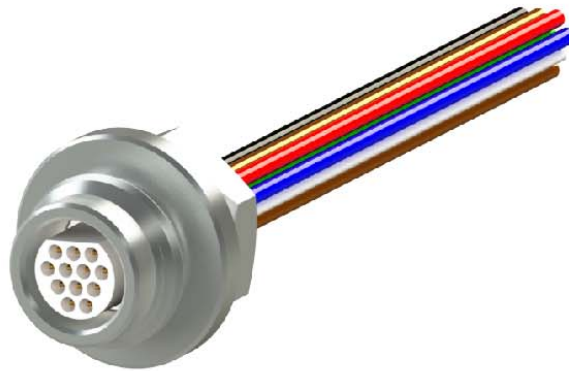
Series	# of Contacts	Termination Type	Shell Material and Finish	Shell Type	Options, cont.
MMC	5	<b>WD: Discrete Lead Wire</b> 	<b>Standard</b> <b>N: Nickel Plated Brass</b> 	<b>IS: Inline Shell (shell only)</b> 	<b>C</b> Color Coded 
	12				
Male (P - Pin)	16	<b>WC: Cable</b> 	<b>Non-Standard Options</b> <b>BN: Black Nickel Plated Brass</b> 	<b>Options</b> <b>SR: Inline Shell w/ Strain Relief</b> 	<b>OR</b> O-Ring 
	27				
	39				
Female (S - Socket)		Wire/Cable Length: 18.0=18.0" Standard Option "XX.X" = Custom Length i.e. 23.4" 26 AWG Max	<b>P: Passivated Stainless Steel</b> 	<b>ST: Inline Shell w/ Shrink Tube</b> 	<b>IP68</b> 
			<b>OX: Black Oxide Finished Steel</b> 		<b>RH</b> RoHS COMPLIANT 
					<b>OM</b> Overmold (Contact Omnetics for Overmold Information & Availability) 
<b>EXAMPLE:</b> MMCS-12-WD-10.0-C-IS-N-SR-OR					



# MICRO 360<sup>®</sup> Metal

## Micro Circular Threaded Panel Mount

Optional IP68 rating



### Electrical-Mechanical Specifications

- Performance: \_\_\_\_\_ Product family tested to and passed or exceeded the performance specifications of Table VIII of MIL-DTL-83513
- Contact Resistance: \_\_\_\_\_ 26 Milliohm Max (65mV Drop Max) @ 2.5 Amps per MIL-DTL-83513
- Current Rating: \_\_\_\_\_ 3 Amps per MIL-DTL-83513
- Operating Temperature: \_\_\_\_\_ -55°C to 125°C (200°C with High Temp Epoxy)  
IP68 overmold -55°C to 85°C
- Durability: \_\_\_\_\_ >2000 mating cycles min
- Insulation Resistance: \_\_\_\_\_ 5000 megohms @ 500 VDC
- Shock: \_\_\_\_\_ 50 g's with no discontinuities > 1 microsecond
- Vibration: \_\_\_\_\_ 20 g's with no discontinuities > 1 microsecond
- Mating/Unmating Force: \_\_\_\_\_ 3 oz (85 g) typical per contact
- Thermal Vacuum Outgassing (Space Class): \_\_\_\_\_ NASA SP-R-0022

### Material Specifications

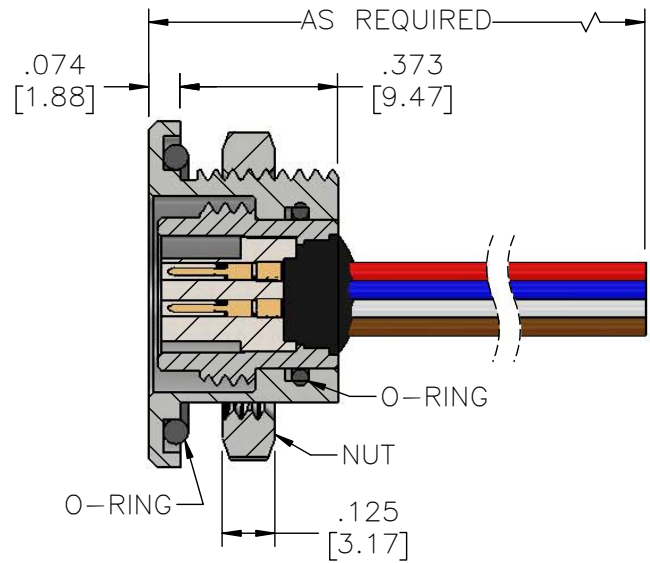
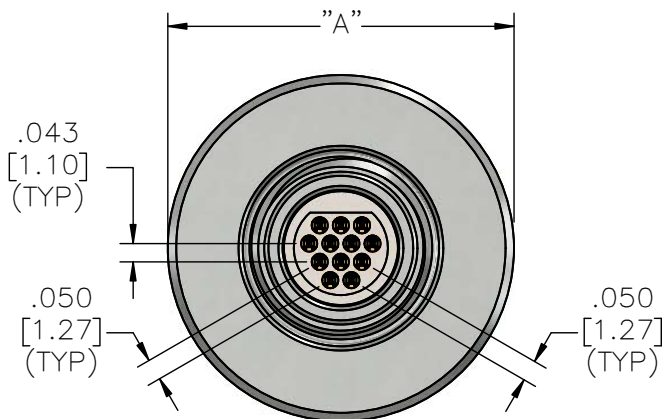
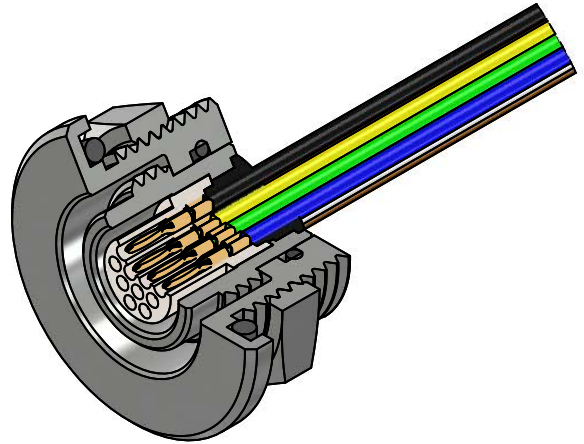
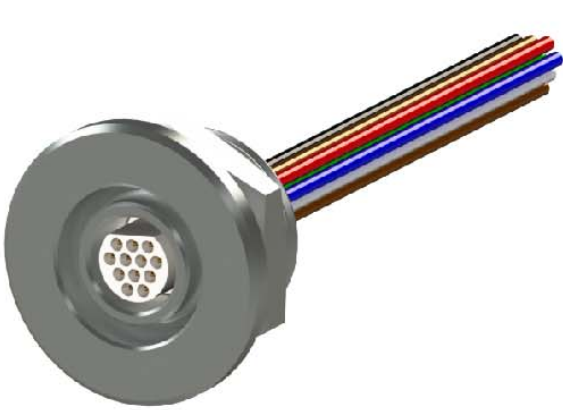
- Contact: \_\_\_\_\_ Copper Alloy Per MIL-DTL-83513
- Contact Finish: \_\_\_\_\_ Gold per ASTM B488, Type II, Class 1.27, Code C  
Over Nickel Underplate
- Insulator: \_\_\_\_\_ Thermoplastic per MIL-M-24519
- Overmold: \_\_\_\_\_ Black Thermoplastic Polyurethane
- O-Ring: \_\_\_\_\_ BUNA-N
- Cable (Shielded): \_\_\_\_\_ 26 AWG, (7-34) Tinned Copper, PFA color coded, Black  
Polyurethane Jacket
- Wire: \_\_\_\_\_ 26 AWG (7-34) PTFE, color coded

### Shell Options

- Brass Alloy 360 1/2 Hard: \_\_\_\_\_ Electroless Nickel per SAE-AMS-2404  
Black Nickel per MIL-P-18317
- Stainless Steel, 300 Series: \_\_\_\_\_ Passivated per SAE-AMS-2700  
Black Oxide Finish per MIL-DTL-13924, Class 4\*, Passivated  
per SAE-AMS-2700

\* less resistance to salt spray test.

# Metal - Pin - Threaded - Wired - Front Panel MMCP-WD-FP

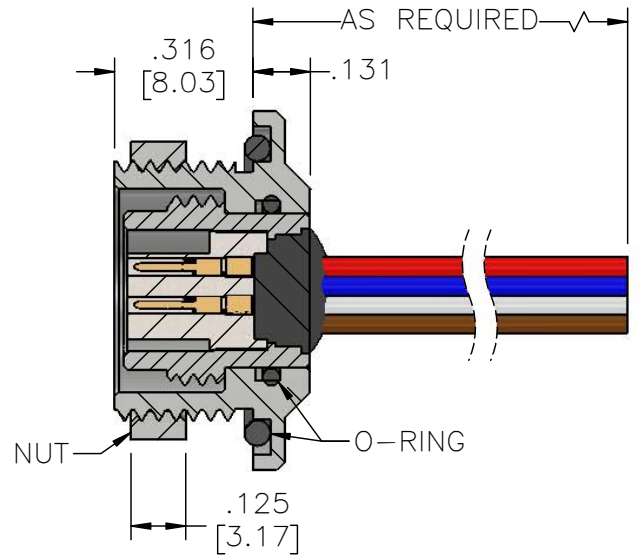
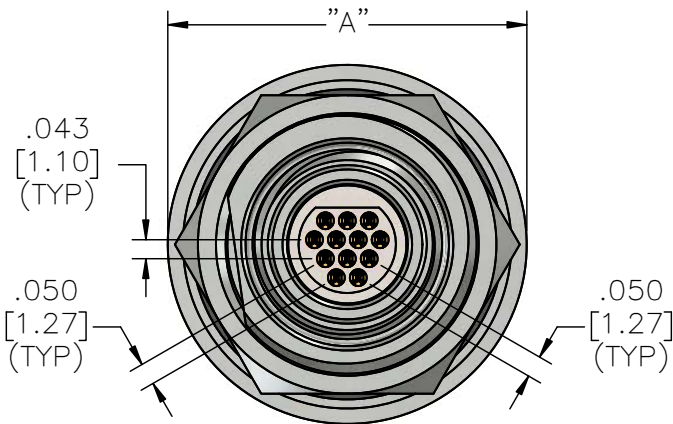
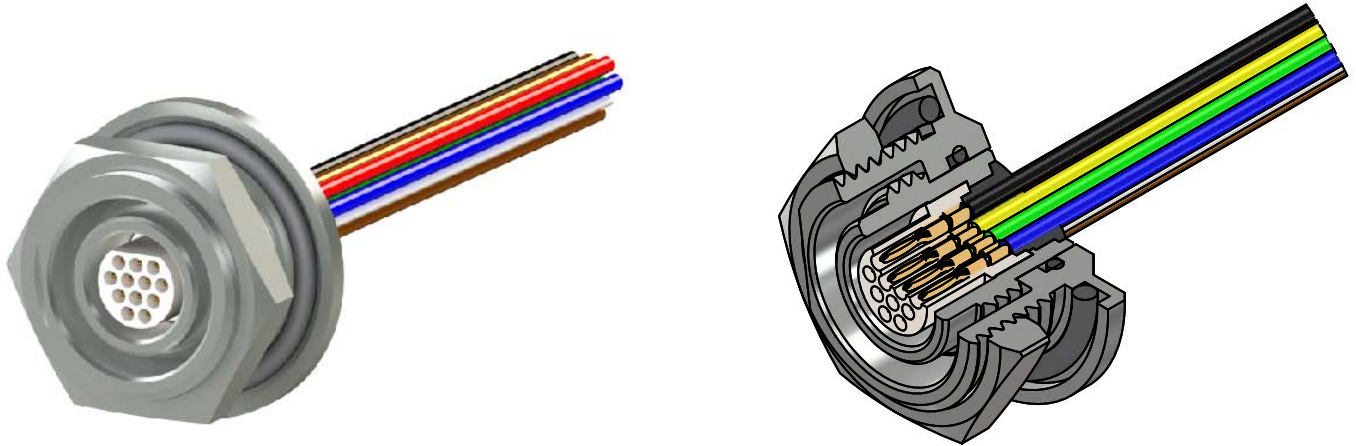


**English (IN)**    **Metric (MM)**

Part #	Contacts	A	A
A22128-001	5	0.750	19.05
A22129-001	12	0.820	20.83
A22130-001	16	0.875	22.23
A22131-001	27	0.990	25.15
A22483-001	39	1.100	27.94

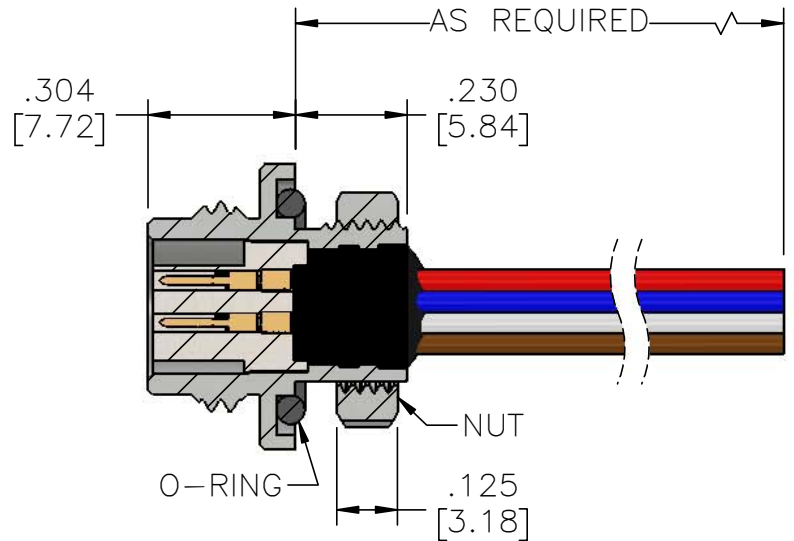
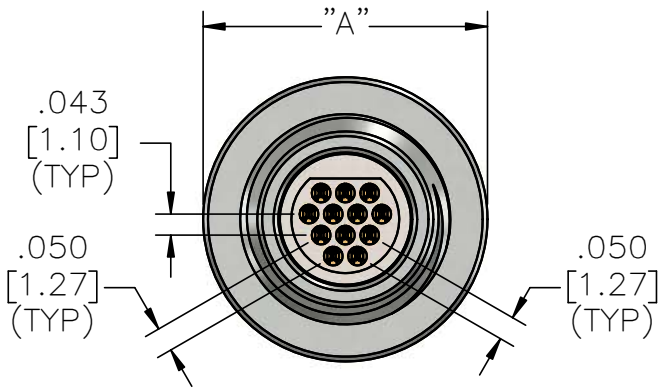
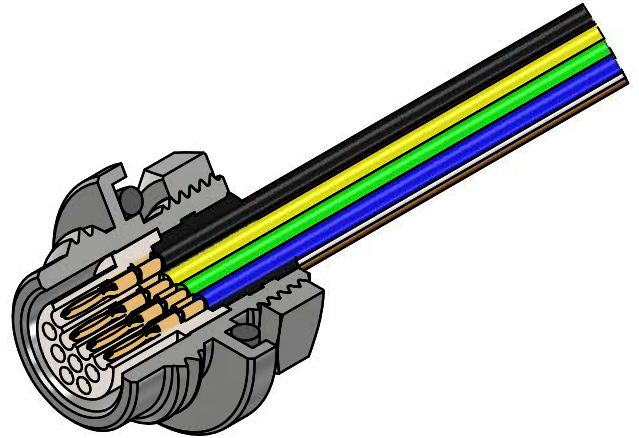
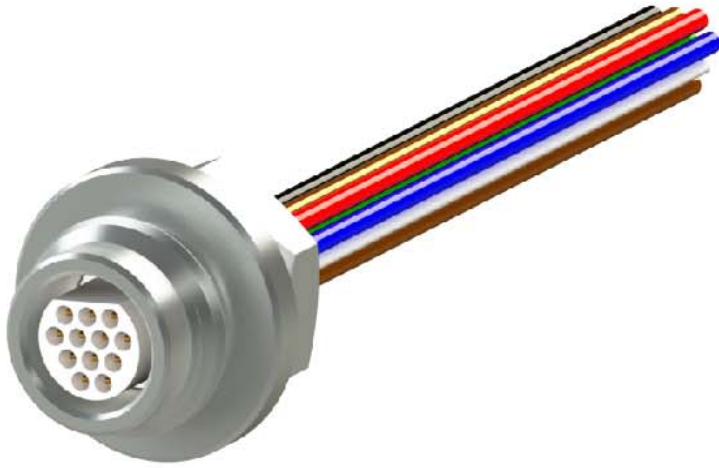


# Metal - Pin - Threaded - Wired/Cable - Rear Panel MMCP-WC/WD-RP




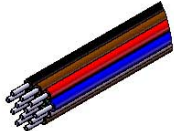











Part #	Contacts	English	Metric
		(IN)	(MM)
A22132-001	5	A	A
A22133-001	12	0.750	19.05
A22134-001	16	0.820	20.83
A22135-001	27	0.875	22.23
A22484-001	39	0.990	25.15
		1.100	27.94

# Metal - Pin - Threaded - Wired - Protruding Panel MMCP-WD-PP



Part #	Contacts	English	Metric
		(IN)	(MM)
A22371-001	5	A	A
A22376-001	12	0.541	13.74
A22381-001	16	0.586	14.88
A22386-001	27	0.662	16.81
A22386-001	27	0.742	18.85
A22485-001	39	0.821	20.85

## METAL MICRO CIRCULAR THREADED DISCRETE LEADWIRE/CABLE (TYPE WD/WC)

Series	# of Contacts	Termination Type	Shell Material and Finish	Shell Type	Options
MMC Male (P - Pin) 	5	<b>WD: Discrete Lead Wire</b> 	<b>Standard</b>	<b>FP: Front Panel Mount</b> (Male Only) 	<b>C</b> Color Coded 
	12		<b>N: Nickel Plated Brass</b> 		
	16	<b>WC: Cable</b> 	<b>Non-Standard Options</b>	<b>RP: Rear Panel Mount</b> (Male Only) 	<b>OR</b> O-Ring 
	27		<b>BN: Black Nickel Plated Brass</b> 		
39	Wire/Cable Length: 18.0=18.0" Standard Option "XX.X" = Custom Length i.e. 23.4" 26 AWG Max	<b>P: Passivated Stainless Steel</b> 	<b>PP: Protruding Panel Mount</b> (Male Only) 	<b>IP68</b> <div style="border: 1px solid black; padding: 2px; display: inline-block;"><b>IP68</b></div>	
	<b>OX: Black Oxide Finished Steel</b> 	<b>RH</b> RoHS COMPLIANT 			
<b>EXAMPLE:</b> MMCP-16-WD-10.0-C-PP-N-OR			