

MICRO 360[®] Metal

Micro Circular Rat *Optional IP68 rating*



Electrical-Mechanical Specifications

- Performance: _____ Product family tested to and passed or exceeded the performance specifications of Table VIII of MIL-DTL-83513
- Contact Resistance: _____ 26 Milliohm Max (65mV Drop Max) @ 2.5 Amps per MIL-DTL-83513
- Current Rating: _____ 3 Amps per MIL-DTL-83513
- Operating Temperature: _____ -55°C to 125°C (200°C with High Temp Epoxy)
IP68 overmold -55°C to 85°C
- Durability: _____ >2000 mating cycles min
- Insulation Resistance: _____ 5000 megohms @ 500 VDC
- Shock: _____ 50 g's with no discontinuities > 1 microsecond
- Vibration: _____ 20 g's with no discontinuities > 1 microsecond
- Mating/Unmating Force: _____ 3 oz (85 g) typical per contact
- Thermal Vacuum Outgassing (Space Class): _____ NASA SP-R-0022

Material Specifications

- Contact: _____ Copper Alloy Per MIL-DTL-83513
- Contact Finish: _____ Gold per ASTM B488, Type II, Class 1.27, Code C
Over Nickel Underplate
- Insulator: _____ Thermoplastic per MIL-M-24519
- Overmold: _____ Black Thermoplastic Polyurethane
- O-Ring: _____ BUNA-N
- Cable (Shielded): _____ 26 AWG, (7-34) Tinned Copper, PFA Color Coded, Black Polyurethane Jacket

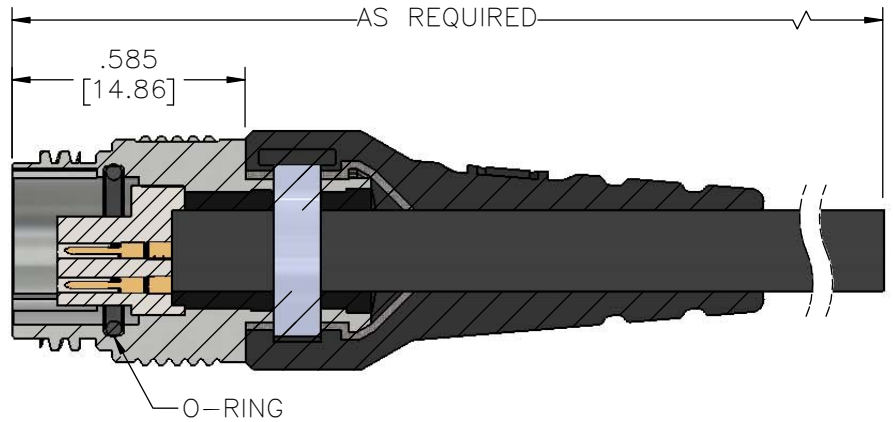
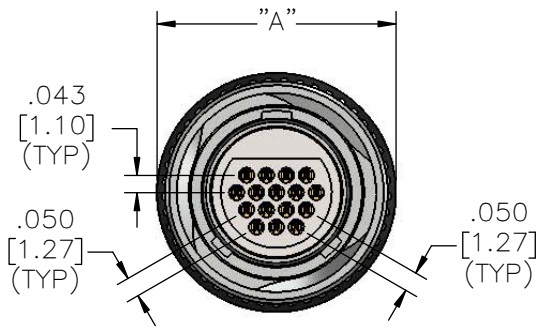
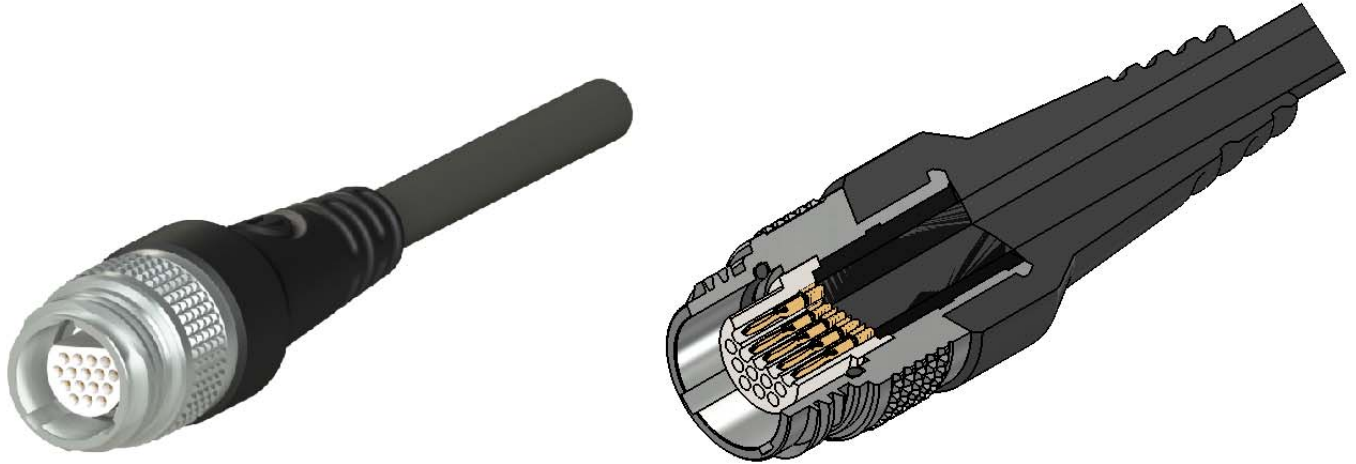
Shell Options

- Aluminum 6061: _____ Electroless Nickel per SAE-AMS-2404
Black Nickel per MIL-P-18317
- Stainless Steel, 300 Series: _____ Passivated per SAE-AMS-2700
Black Oxide Finish per MIL-DTL-13924, Class 4*, Passivated per SAE-AMS-2700

* less resistance to salt spray test.

Metal - Pin - Ratcheting - Cabled - Inline - IP68

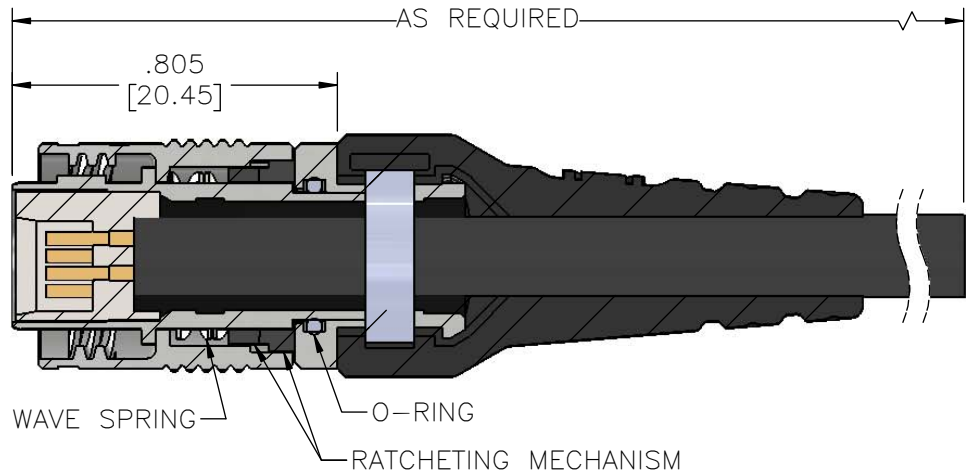
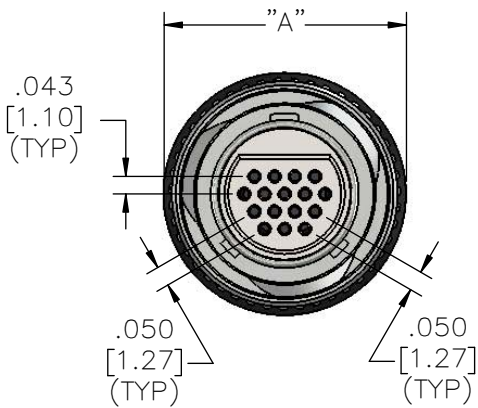
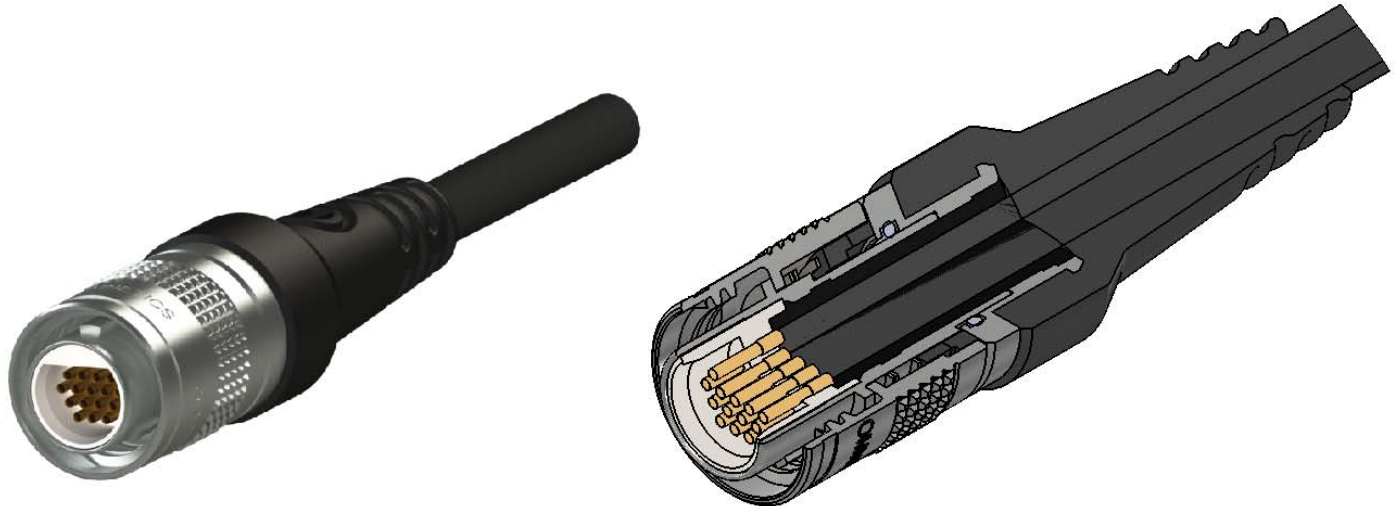
RMCP-WC-OM-IS-IP68



English (IN) Metric (MM)

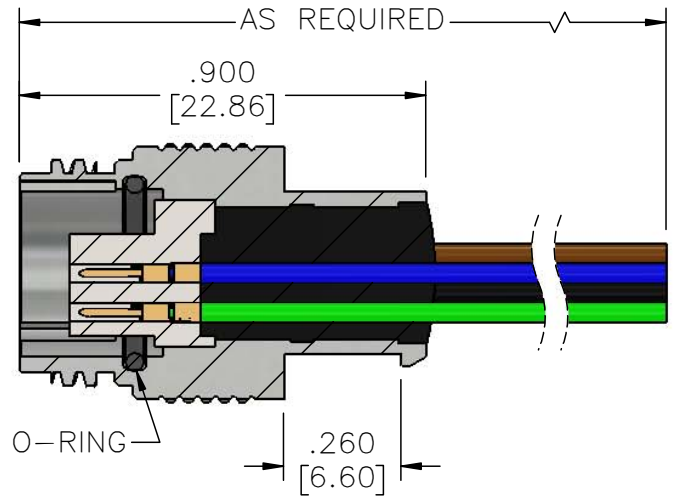
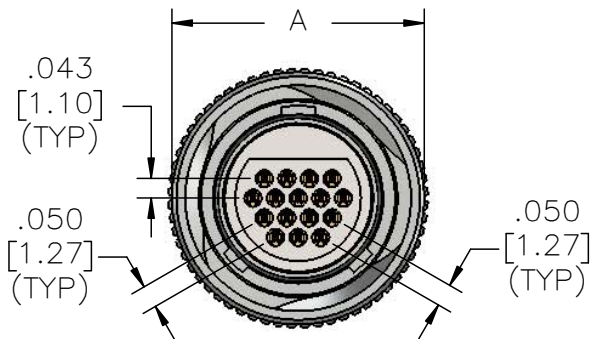
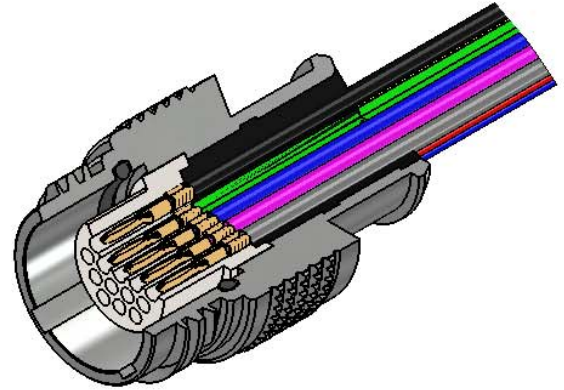
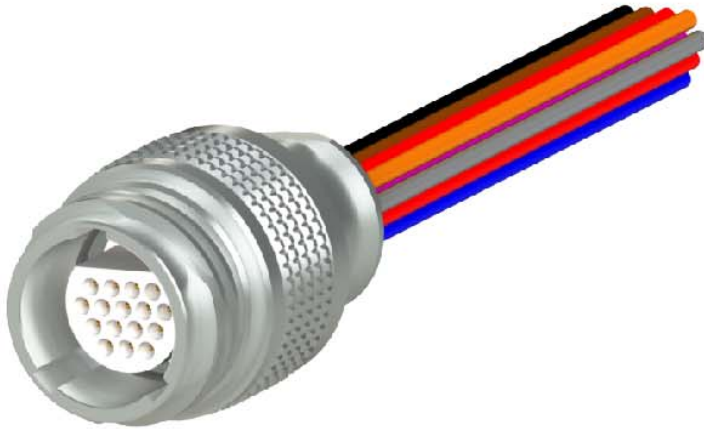
Part #	Contacts	A	A
A22493-001	5	0.510	12.95
A22500-001	12	0.550	13.97
A22507-001	16	0.600	15.24
A22514-001	27	0.670	17.02
A22557-001	39	0.780	19.81

**Metal - Socket - Ratcheting -
Cabled - Inline - IP68**
RMCS-WC-OM-IS-IP68



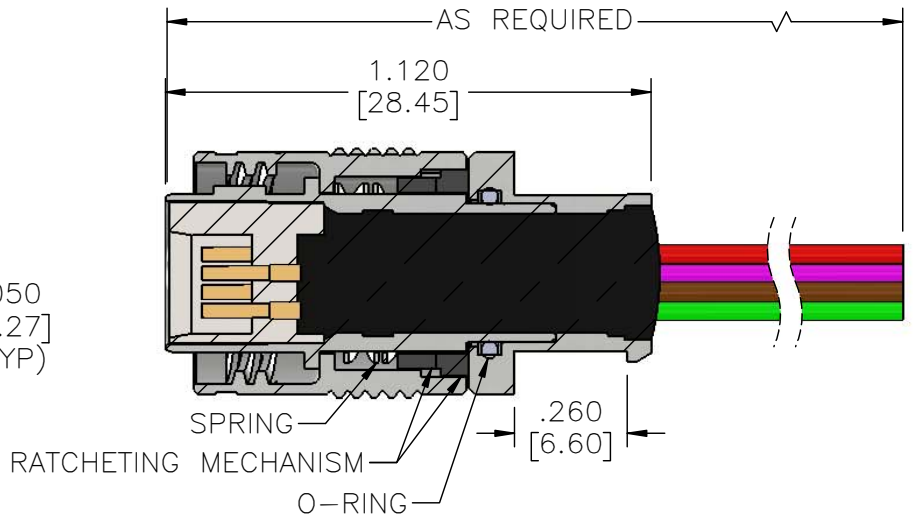
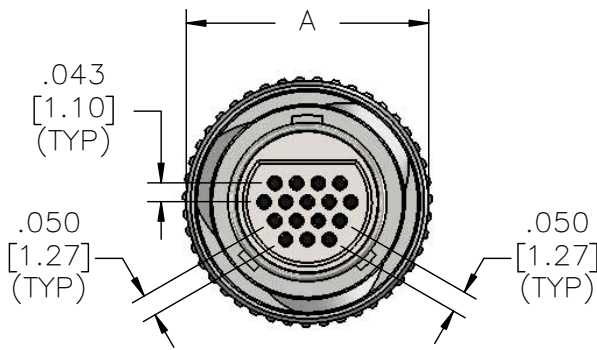
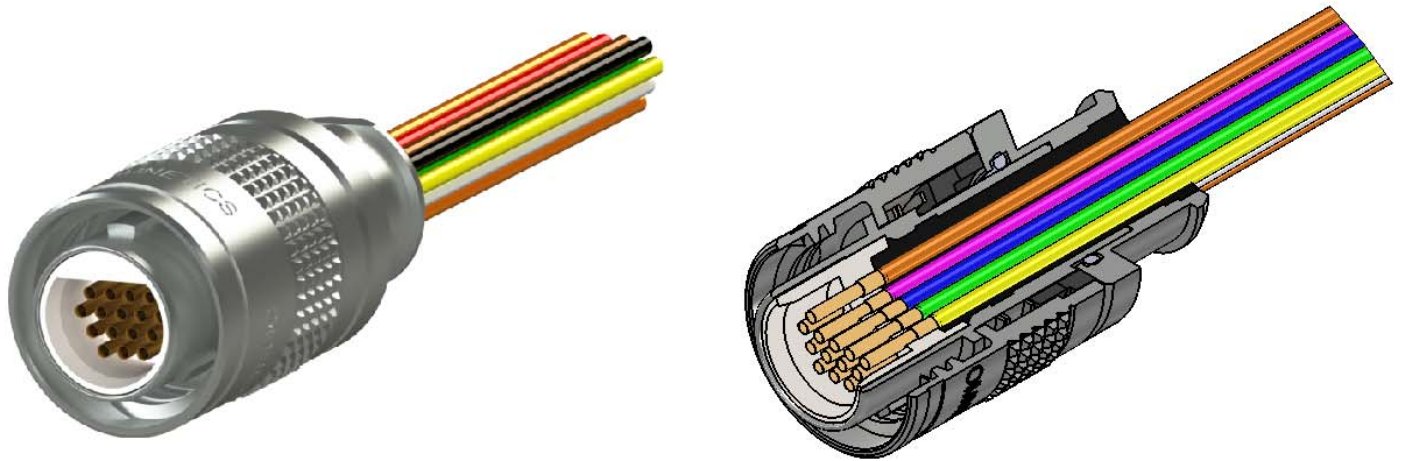
Part #	Contacts	English	Metric
		(IN)	(MM)
A22492-001	5	A	A
A22499-001	12	0.510	12.95
A22506-001	16	0.550	13.97
A22513-001	27	0.600	15.24
A22559-001	39	0.670	17.02
		0.780	19.81

Metal - Pin - Ratcheting - Wired RMCP-WD



Part #	Contacts	English	Metric
		(IN)	(MM)
A22491-001	5	A	A
A22498-001	12	0.470	11.94
A22505-001	16	0.520	13.21
A22512-001	27	0.570	14.48
A22556-001	39	0.640	16.26
		0.710	18.03

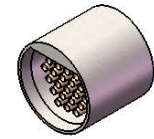
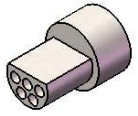
Metal - Socket - Ratcheting - Wired RMCS-WD



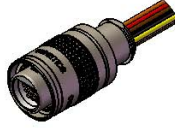
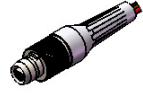
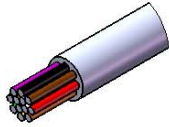
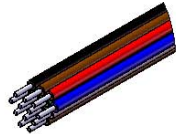
Part #	Contacts	English	Metric
		(IN)	(MM)
A22490-001	5	A	A
A22497-001	12	0.470	11.94
A22504-001	16	0.520	13.21
A22511-001	27	0.570	14.48
A22558-001	39	0.640	16.26
		0.710	18.03

MICRO CIRCULAR RATCHETING

Series	# of Contacts	Termination Type	Shell Material and Finish	Shell Type	Options, cont.
RMC Male (P - Pin)	5	WD: Discrete Lead Wire	Standard N: Nickel Plated Aluminum	SR: Inline Shell w/ Strain Relief	C Color Coded
	12				
Female (S - Socket)	16	WC: Cable	Non-Standard Options BN: Black Nickel Plated Aluminum	ST: Inline Shell w/ Shrink Tube	OM Inline Shell w/ Overmold
	27				
	39		P: Passivated Stainless Steel	IS: Inline Shell (Shell only)	OR O-Ring
		Wire/Cable Length: 18.0=18.0" Standard Option "XX.X" = Custom Length i.e. 23.4" 26 AWG Max	OX: Black Oxide Finished Steel		IP68
					RH RoHS COMPLIANT



*Insulator colors may be black or off-white

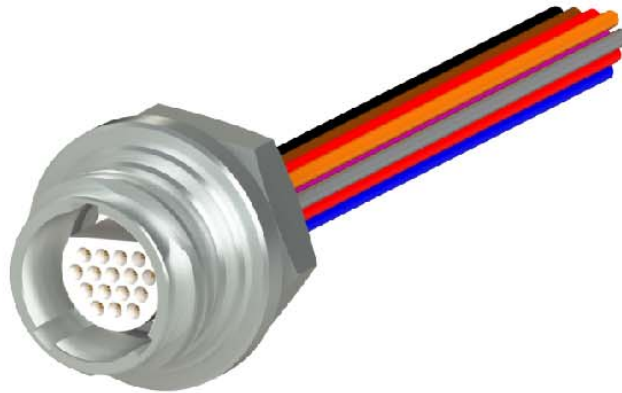


EXAMPLE:
RMCS-16-WC-18.0-C-IS-N-OM-IP68



MICRO 360[®] Metal

Micro Circular Ratcheting Panel Mount *Optional IP68 Rating*



Electrical-Mechanical Specifications

- Operating Temperature: _____ -55°C to 125°C
- Dielectric Withstand Voltage: _____ 600 VAC RMS @sea level
- Contact Resistance: _____ 26 milliohms(65 mV) Max @2.5 Amps
- Current Rating: _____ 3 Amps per contact
- Durability: _____ 500 Mating Cycles min
- Insulation Resistance: _____ 5000 megohms @ 500 VDC
- Shock: _____ 50 g's with no discontinuities > 1 microsecond
- Vibration: _____ 20 g's with no discontinuities > 1 microsecond
- Thermal Vacuum Outgassing (Space Class): _____ 1.0% max TML, 0.03% max CVCM
- Mating/Unmating Force: _____ 3 oz (85 g) per contact

Material Specifications

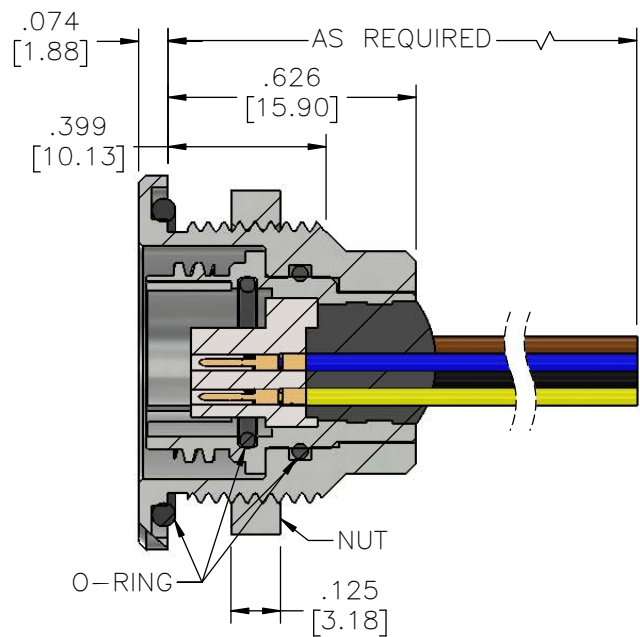
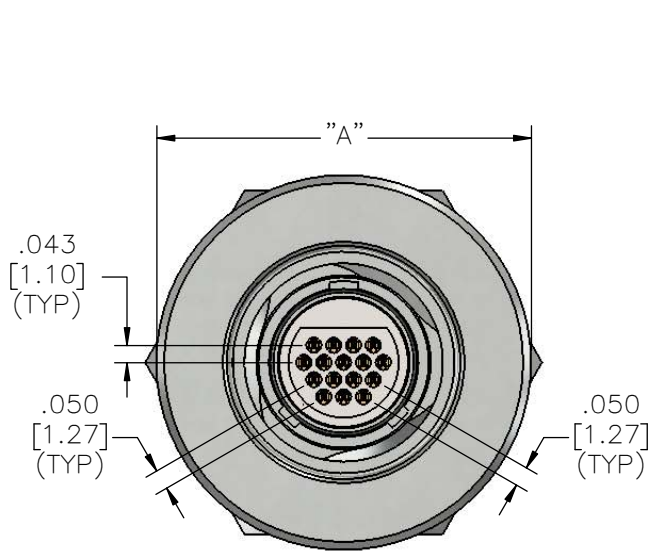
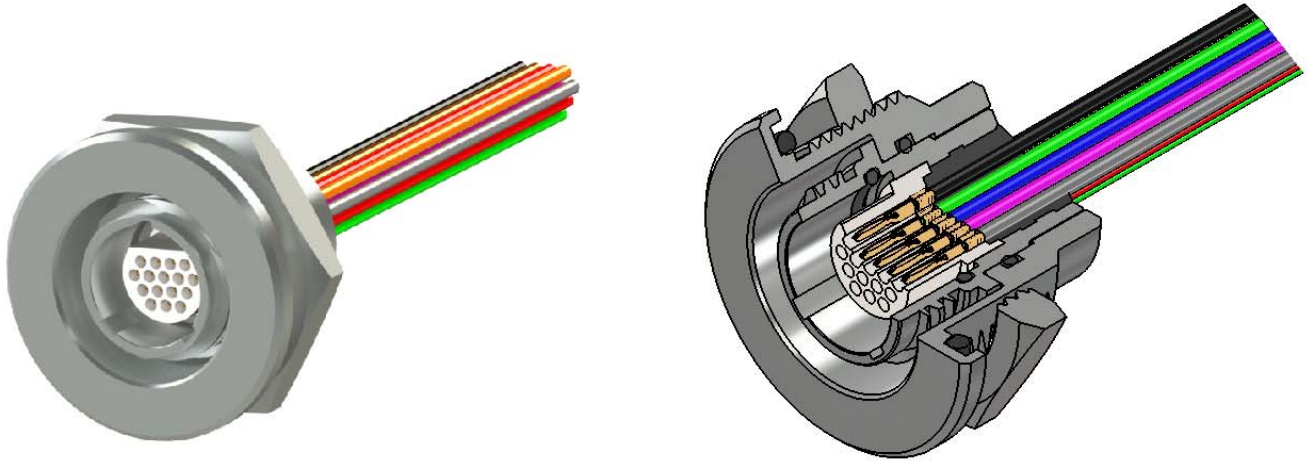
- Contact: _____ Copper Alloy per MIL-DTL-83513
- Contact Finish: _____ Gold per ASTM B488, Type II, Class 1.27, Code C
Over Nickel Underplate
- Insulator: _____ Thermoplastic per MIL-M-24519
- Wire: _____ 26 AWG (7-34) PTFE, color coded

Shell Options

- Brass Alloy 360 1/2 Hard: _____ Electroless Nickel per SAE-AMS-2404
Black Nickel per MIL-P-18317
- Stainless Steel, 300 Series: _____ Passivated per SAE-AMS-2700
Black Oxide Finish per MIL-DTL-13924, Class 4*,
Passivated per SAE-AMS-2700

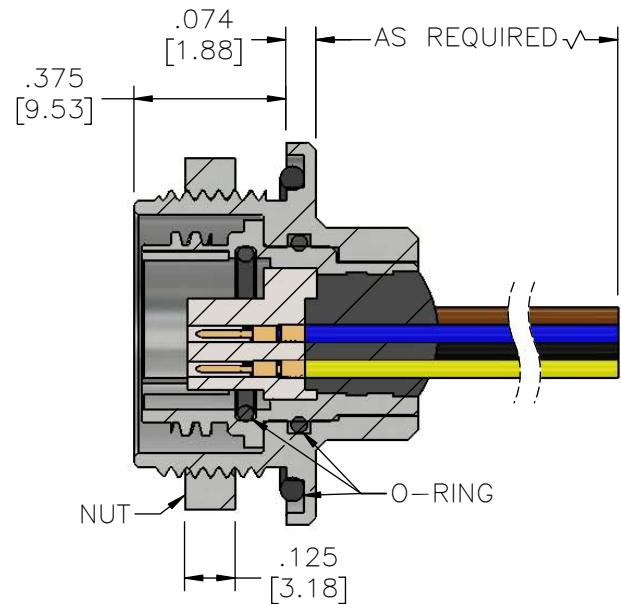
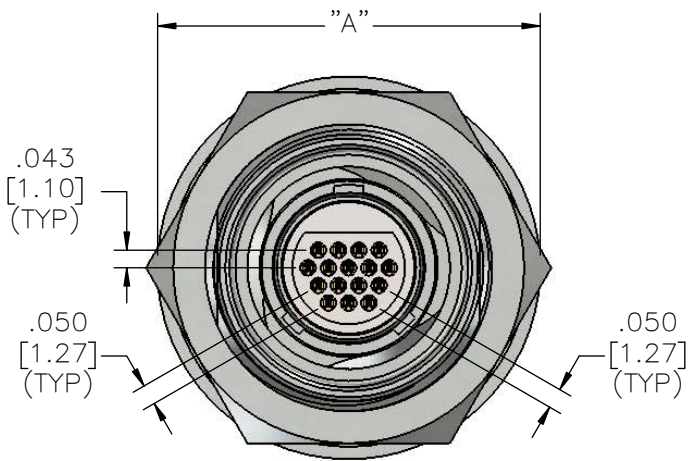
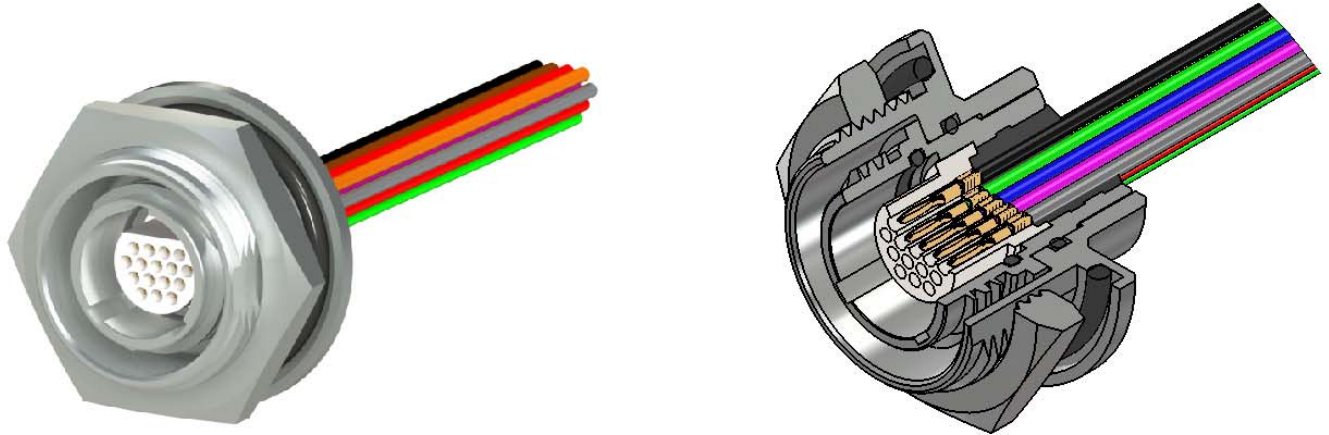
* less resistance to salt spray test.

Metal - Pin - Ratcheting - Front Panel RMCP-FP



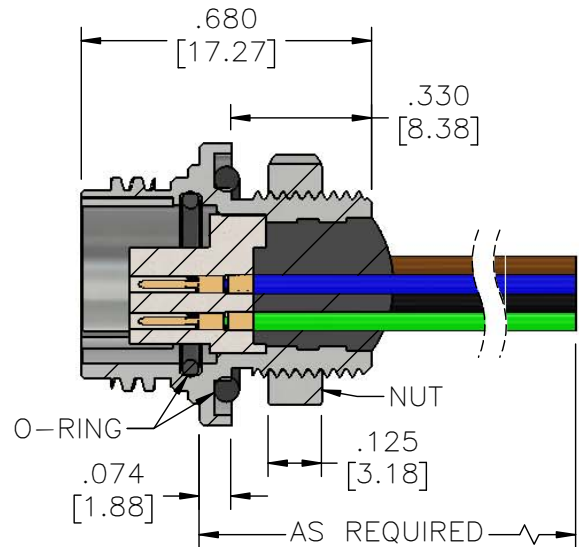
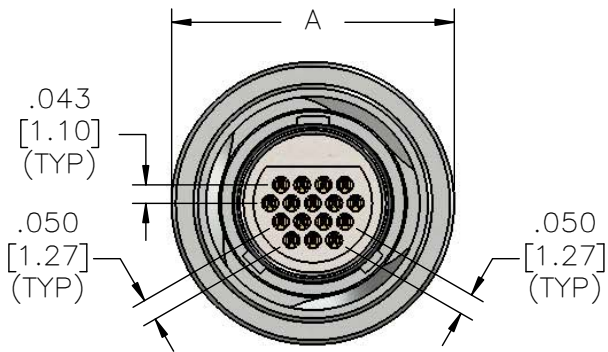
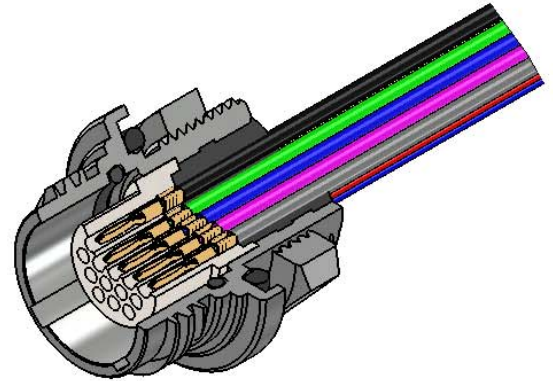
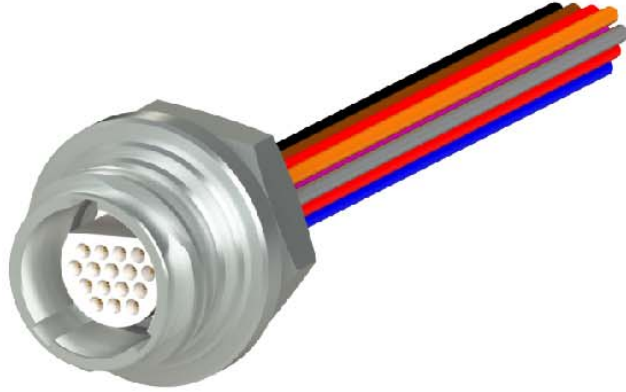
Part #	Contacts	English	Metric
		(IN)	(MM)
A22495-001	5	A	A
A22502-001	12	0.820	20.83
A22509-001	16	0.950	24.13
A22516-001	27	1.020	25.91
A22553-001	39	1.130	28.70

Metal - Pin - Ratcheting - Rear Panel RMCP-RP



		English (IN)	Metric (MM)
Part #	Contacts	A	A
A22496-001	5	0.820	20.83
A22503-001	12	0.900	22.86
A22510-001	16	0.950	24.13
A22517-001	27	1.020	25.91
A22554-001	39	1.130	28.70

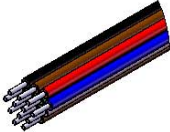








Metal - Pin - Ratcheting - Protruding Panel RMCP-PP



English (IN) **Metric (MM)**

Part #	Contacts	A	A
A22494-001	5	0.528	13.41
A22501-001	12	0.578	14.68
A22508-001	16	0.662	16.81
A22515-001	27	0.732	18.59
A22555-001	39	0.810	20.57

RATCHETING MICRO CIRCULAR PANEL MOUNT

Series	# of Contacts	Termination Type	Shell Material and Finish	Shell Type	Options
RMC Male (P - Pin)	5	WD: Discrete Lead Wire  WC: Cable  Wire/Cable Length: 18.0=18.0" Standard Option "XX.X" = Custom Length i.e. 23.4" 26 AWG Max	Standard N: Nickel Plated Aluminum 	FP: Front Panel Mount (Male Only) 	C Color Coded  OR O-Ring  IP68 <div style="border: 1px solid black; padding: 2px; display: inline-block;">IP68</div> RH RoHS COMPLIANT 
	12				
	16		P: Passivated Stainless Steel 	PP: Protruding Panel Mount (Male Only) 	
	27				
39					
Female (S - Socket)					

EXAMPLE:
RMCP-16-WD-10.0-C-FP-N-OR