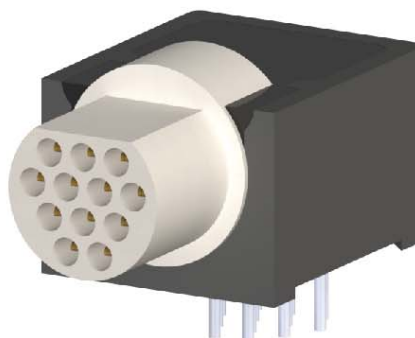


MICRO 360[®] Plastic



Micro Circular Right Angle Thru-Hole (Type RA)

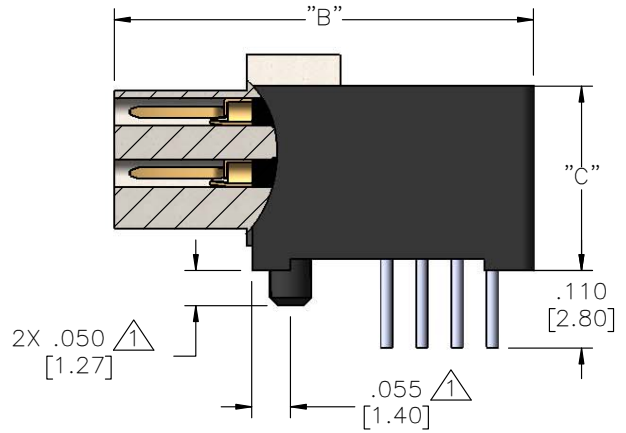
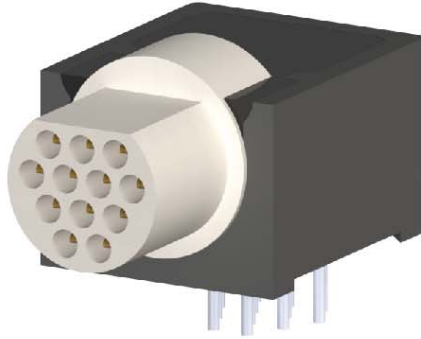
Electrical-Mechanical Specifications

- Operating Temperature: _____ -55°C to 125°C
- Dielectric Withstand Voltage: _____ 600 VAC RMS @sea level
- Contact Resistance: _____ 26 milliohms(65 mV) Max @2.5 Amps
- Current Rating: _____ 3 Amps per contact
- Durability: _____ >2000 Mating Cycles min
- Insulation Resistance: _____ 5000 megohms @ 500 VDC
- Shock: _____ 50 g's with no discontinuities > 1 microsecond
- Vibration: _____ 20 g's with no discontinuities > 1 microsecond
- Thermal Vacuum Outgassing (Space Class): _____ 1.0% max TML, 0.03% max CVCM
- Mating/Unmating Force: _____ 3 oz (85 g) typical per contact

Material Specifications

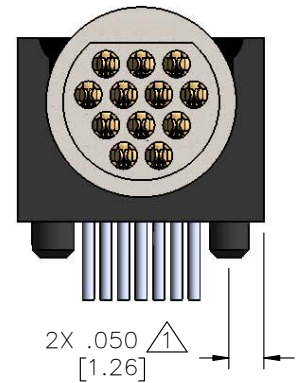
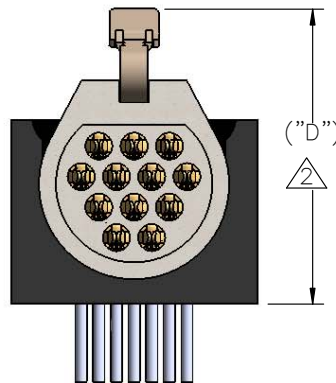
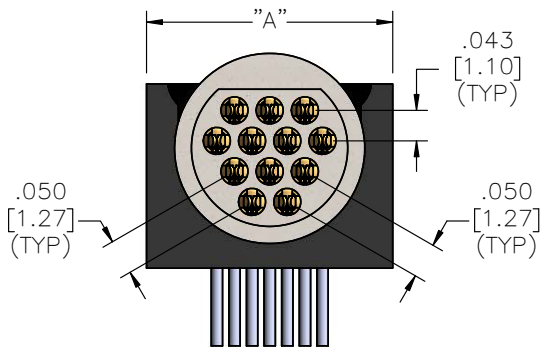
- Contact: _____ Copper Alloy per MIL-DTL-83513
- Contact Finish: _____ Gold per ASTM B488, Type II, Class 1.27, Code C
 Over Nickel Underplate
- Insulator: _____ Thermoplastic per MIL-M-24519

Plastic - Pin - Right Angle Thru-Hole MCP-RA



① OPTIONAL MOUNTING POSTS

② OPTIONAL LATCH



English (IN)

Metric (MM)

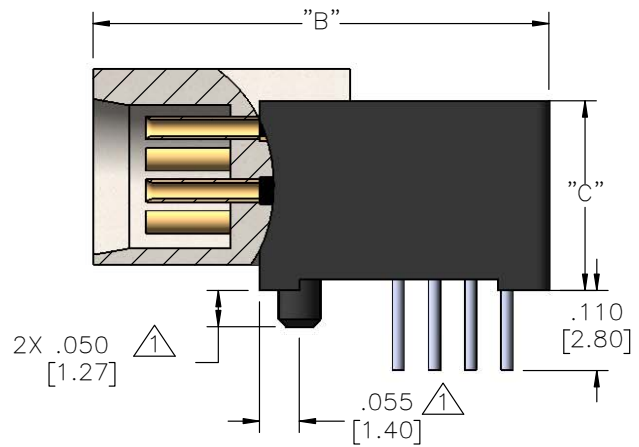
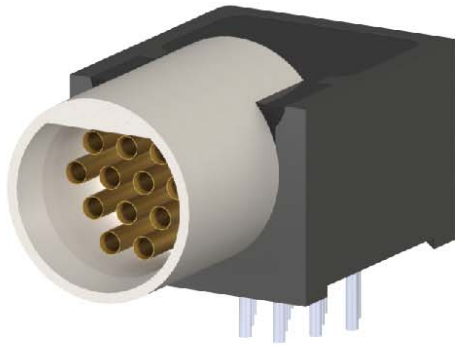
Part #	Contacts	A	B	C	A	B	C
A22052-001	5	0.300	0.495	0.232	7.62	12.57	5.89
A22053-001	12	0.350	0.595	0.262	8.89	15.11	6.65
A22054-001	16	0.411		0.294	10.44		7.47

LATCHING OPTION

English (IN) **Metric (MM)**

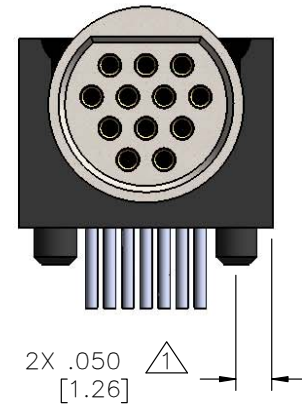
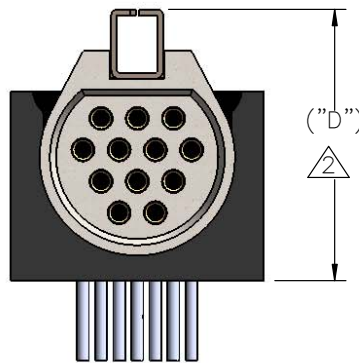
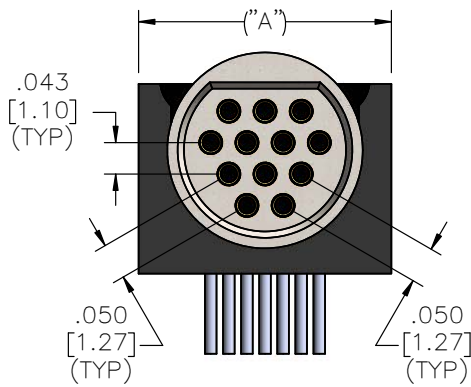
Part #	Contacts	D	D
A22056-001	5	0.340	8.64
A22058-001	12	0.420	10.67
A22353-001	16	0.450	11.43

Plastic - Socket - Right Angle Thru-Hole MCS-RA



① OPTIONAL MOUNTING POSTS

② OPTIONAL LATCH BOX



English (IN)

Metric (MM)

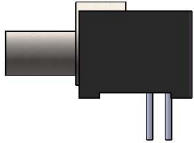


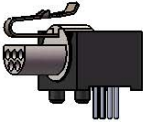
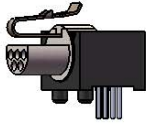
Part #	Contacts	A	B	C	A	B	C
A22060-001	5	0.300	0.530	0.232	7.62	13.46	5.89
A22061-001	12	0.350	0.630	0.262	8.89	16.00	6.65
A22354-001	16	0.411		0.294	10.44		7.47

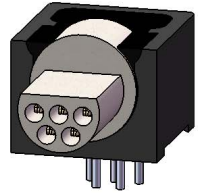
LATCHING OPTION

English (IN) Metric (MM)

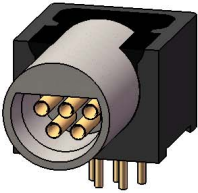
Part #	Contacts	D	D
A22062-001	5	0.300	7.62
A22063-001	12	0.370	9.40
A22355-001	16	0.400	10.16

MICRO CIRCULAR RIGHT ANGLE THRU-HOLE (TYPE RA)

Series	# of Contacts	Termination Type	Options
MC	5 12 16	RA: Right Angle Thru-Hole	LT Latch
Male (P - Pin)			
Female (S - Socket)			MP Mounting Posts
			
			RH RoHS COMPLIANT
			



Female
(S - Socket)



EXAMPLE:
MCS-05-RA-LT

