

MICRO 360® Metal

Micro Circular Break Away

Optional IP68 Rating



Electrical-Mechanical Specifications

- Performance: _____ Product family tested to and passed or exceeded the performance specifications of Table VIII of MIL-DTL-83513
- Contact Resistance: _____ 26 Milliohm Max (65mV Drop Max) @ 2.5 Amps per MIL-DTL-83513
- Current Rating: _____ 3 Amps per MIL-DTL-83513
- Operating Temperature: _____ -55°C to 125°C (200°C with High Temp Epoxy)
IP68 overmold -55°C to 85°C
- Durability: _____ 500 mating cycles min
- Insulation Resistance: _____ 5000 megohms @ 500 VDC
- Shock: _____ 50 g's with no discontinuities > 1 microsecond
- Vibration: _____ 20 g's with no discontinuities > 1microsecond
- Mating/Unmating Force: _____ 3 oz (85 g) typical per contact
- Thermal Vacuum Outgassing (Space Class): _____ NASA SP-R-0022

Material Specifications

- Contact: _____ Copper Alloy Per MIL-DTL-83513
- Contact Finish: _____ Gold per ASTM B488, Type II, Class 1.27, Code C
Over Nickel Underplate
- Insulator: _____ Thermoplastic per MIL-M-24519
- Overmold: _____ Black Thermoplastic Polyurethane
- O-Ring: _____ BUNA-N
- Cable (Shielded): _____ 26 AWG, (7-34) Tinned Copper, PFA color coded, Black
Polyurethane Jacket
- Wire: _____ 26 AWG (7-34) PTFE, color coded

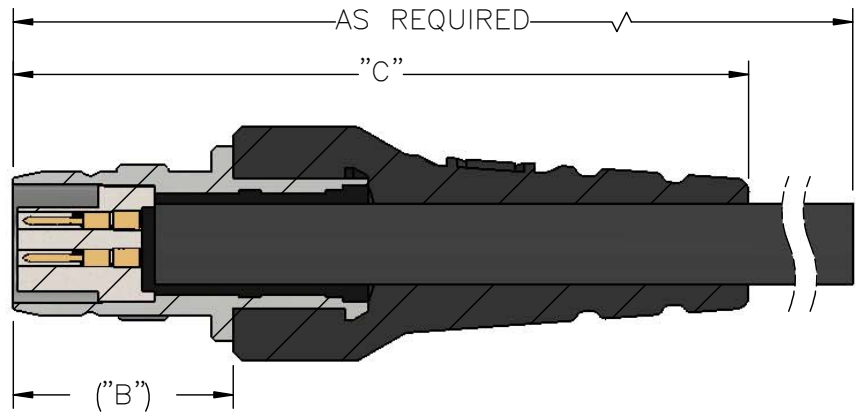
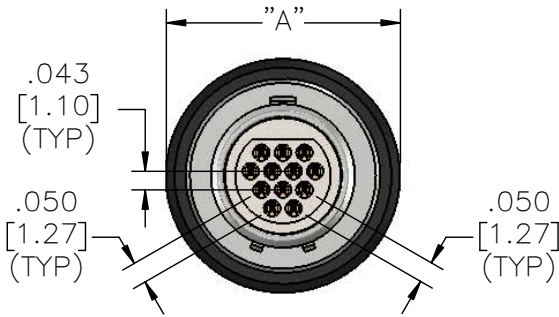
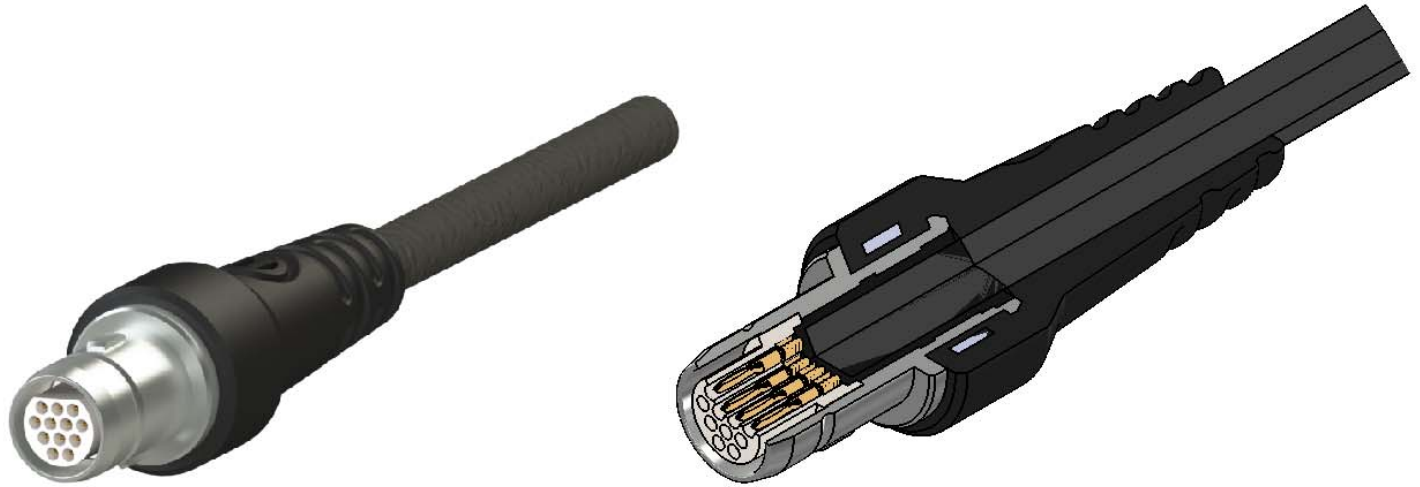
Shell Options

- Brass Alloy 360 1/2 Hard: _____ Electroless Nickel per SAE-AMS-2404
Black Nickel per MIL-P-18317
- Stainless Steel, 300 Series: _____ Passivated per SAE-AMS-2700
Black Oxide Finish per MIL-DTL-13924, Class 4*, Passivated per SAE-AMS-2700

* less resistance to salt spray test.

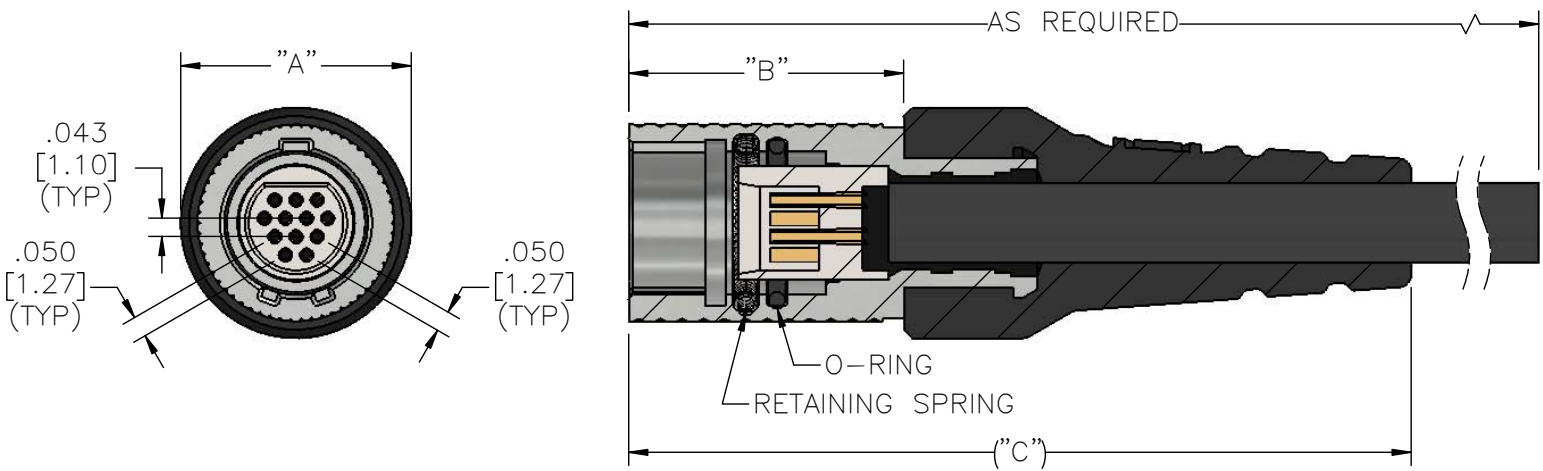
Metal - Pin - Keyed Break Away - Cabled - Overmold - Inline

KBMP-WC-OM-IS



Part #	Contacts	English (IN)			Metric (MM)		
		A	B	C	A	B	C
A22458-001	5	0.510	0.510	1.660	12.95	12.95	42.16
A22465-001	12	0.550		1.710	13.97		43.43
A22472-001	16	0.600		1.810	15.24		45.97
A22479-001	27	0.670	0.500	1.900	17.02	12.70	48.26
A22548-001	39	0.720		18.29			

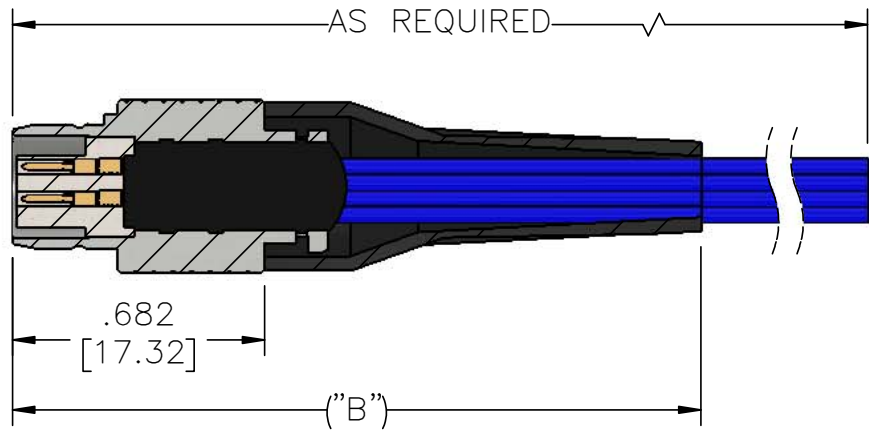
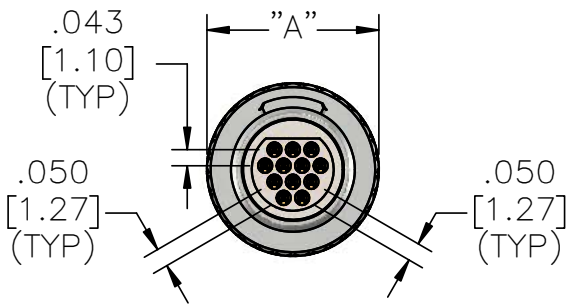
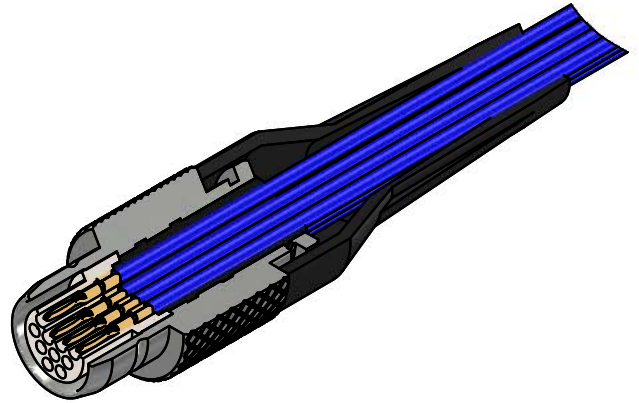
**Metal - Socket - Keyed Break Away -
Cabled - Overmold - Inline**
KBMS-WC-OM-IS



Part #	Contacts	English (IN)			Metric (MM)		
		A	B	C	A	B	C
A22455-001	5	0.510	0.650	1.800	12.95	16.51	45.72
A22462-001	12	0.550		1.850	13.97		46.99
A22469-001	16	0.600		1.950	15.24		49.53
A22476-001	27	0.670	0.640	2.040	17.02	16.26	51.82
A22552-001	39	0.720		18.29			

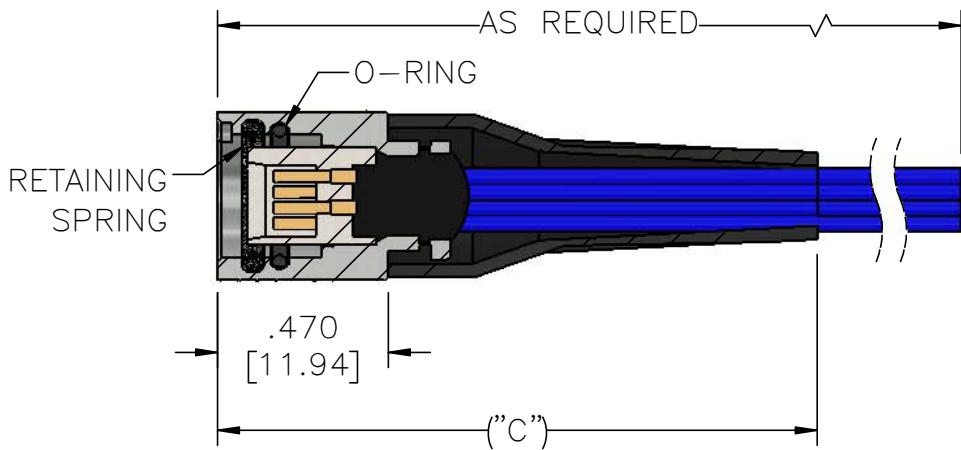
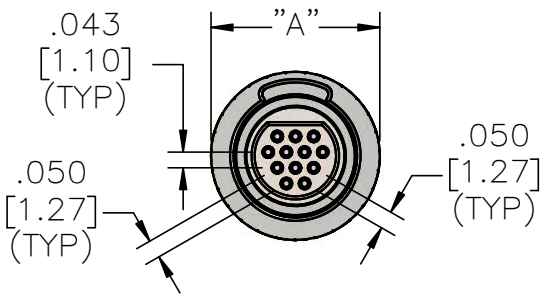
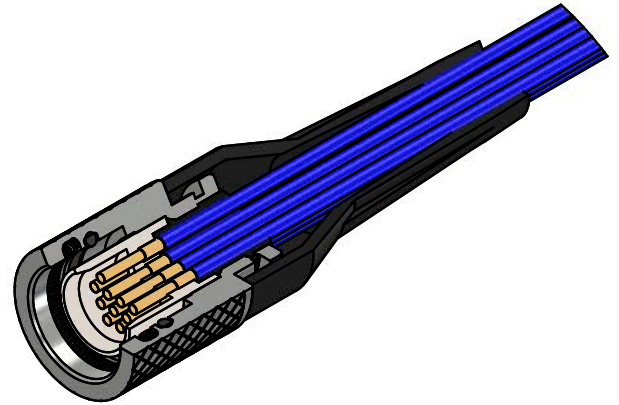
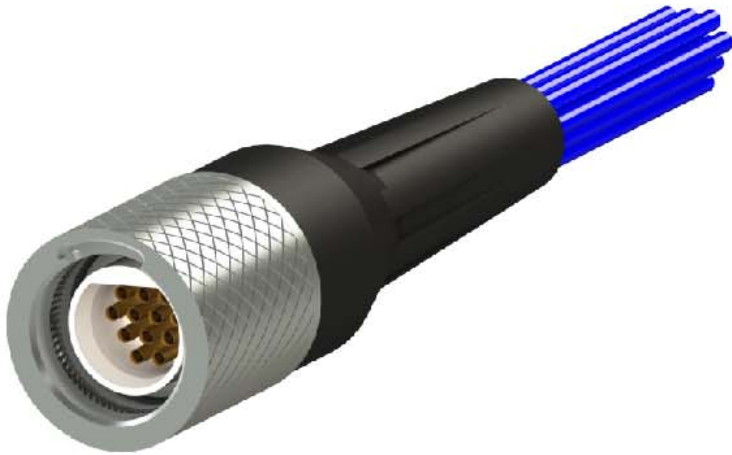
Metal - Pin - Break Away - Wired - Inline - Strain Relief

BAMP-WD-IS-SR



Part #	Contacts	English (IN)		Metric (MM)	
		A	B	A	B
A22304-001	5	0.430	1.900	10.92	48.26
A22311-001	12	0.470		11.94	
A22318-001	16	0.530		13.46	
A22325-001	27	0.610	2.100	15.49	53.34
A22538-001	39	0.650	2.300	16.51	58.42

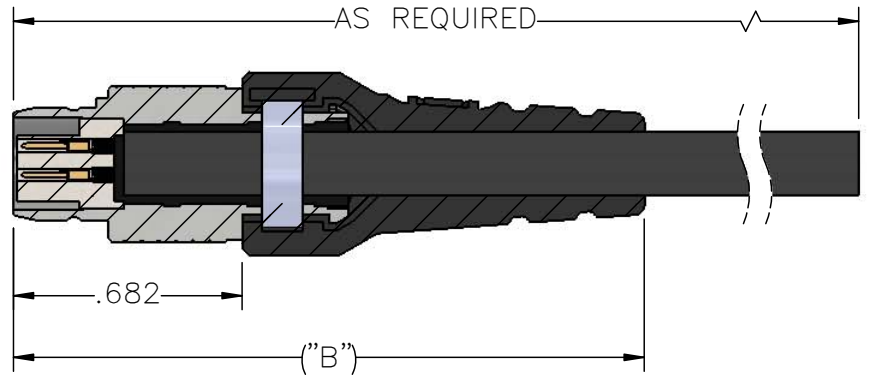
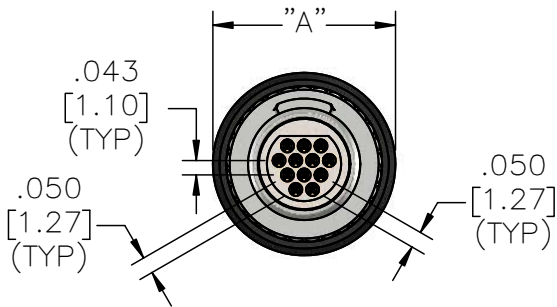
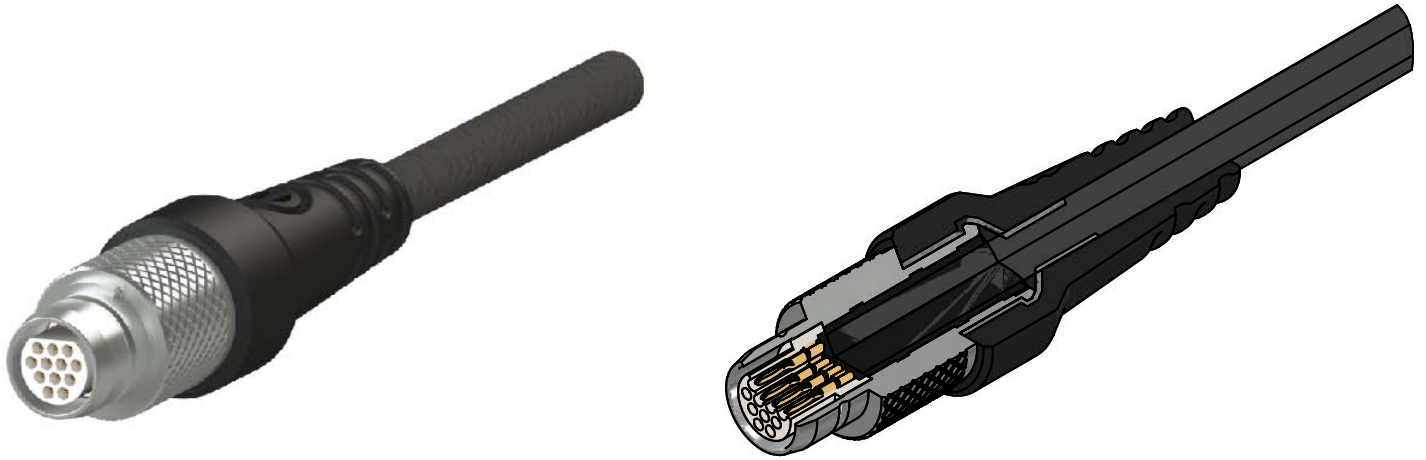
**Metal - Socket - Break Away -
Wired - Inline - Strain Relief**
BAMS-WD-IS-SR



Part #	Contacts	English (IN)		Metric (MM)	
		A	B	A	B
A22301-001	5	0.430	1.700	10.92	43.18
A22308-001	12	0.460	0.470	11.68	11.94
A22315-001	16	0.530	1.700	13.46	43.18
A22322-001	27	0.610	1.900	15.49	48.26
A22542-001	39	0.650	2.100	16.51	53.34

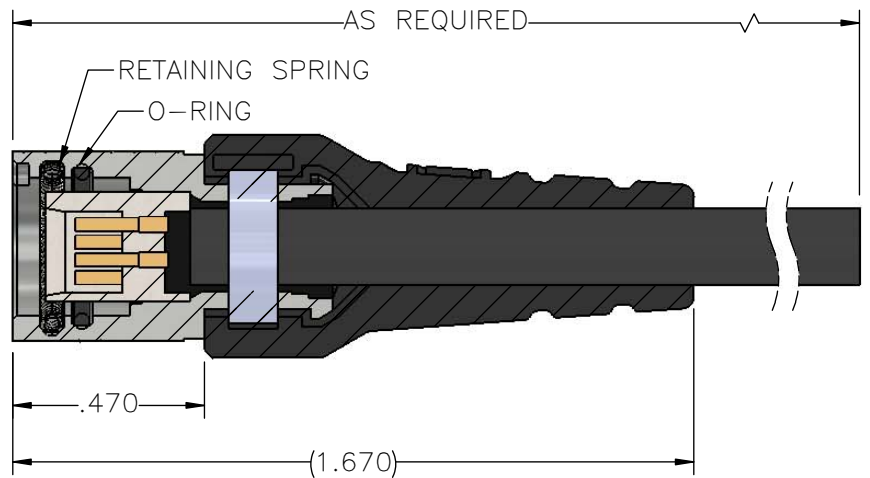
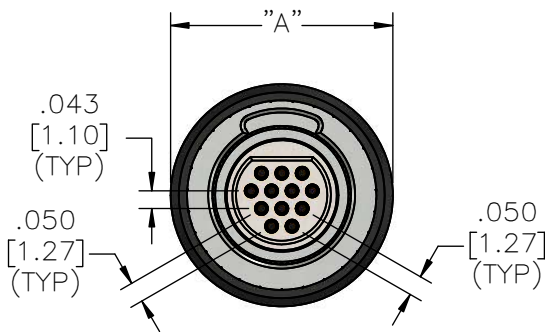
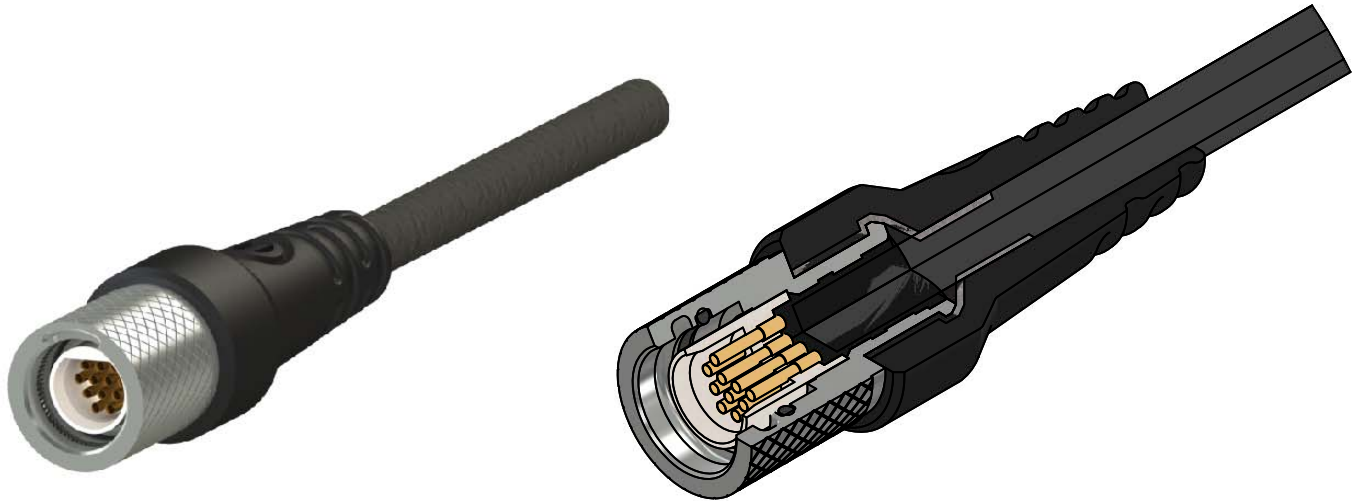
Metal - Pin - Break Away - Cable - Overmold - Inline - IP68

BAMP-WC-OM-IS-IP68



		English (IN)	Metric (MM)
Part #	Contacts	A	A
A22344-001	5	0.510	12.95
A22342-001	12	0.550	13.97
A22340-001	16	0.600	15.24
A22338-001	27	0.670	17.02
-	39	Contact Omnetics for dimensions	

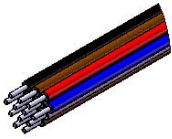








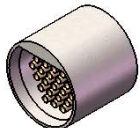

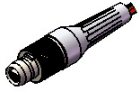




**Metal - Socket - Break Away -
Cable - Overmold - Inline - IP68**
BAMS-WC-OM-IS-IP68



English (IN) Metric (MM)

Part #	Contacts	A	A
A22343-001	5	0.510	12.95
A22341-001	12	0.550	13.97
A22339-001	16	0.600	15.24
A22337-001	27	0.670	17.02
-	39	0.720	18.29

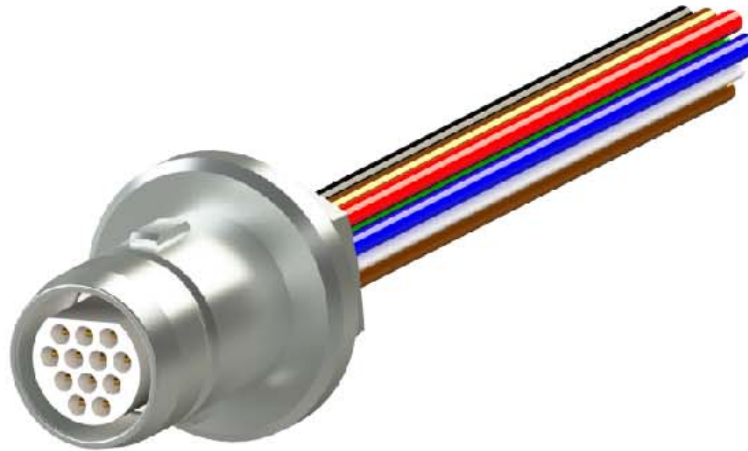
QUICK DISCONNECT BREAK AWAY MICRO CIRCULAR DISCRETE LEADWIRE/CABLE (TYPE WD/WC)

Series	# of Contacts	Termination Type	Shell Material and Finish	Shell Type	Options
KBM (Keyed Break Away)	5 12	WD: Discrete Lead Wire	Standard N: Nickel Plated Brass	IS: Inline Shell (Shell Only) Male	C Color Coded
BAM (Standard Break Away)	16 27 39				
Male (P - Pin)		WC: Cable	Non-Standard Options BN: Black Nickel Plated Brass	Female	OM Overmold (Contact Omnetics for Overmold Information & Availability)
					
Female (S - Socket)		Wire/Cable Length: 18.0=18.0" Standard Option "XX.X" = Custom Length i.e. 23.4" 26 AWG Max	P: Passivated Stainless Steel	SR: Inline Shell w/ Strain Relief	
					IP68
			OX: Black Oxide Finished Steel	ST: Inline Shell w/ Shrink Tube	IP68
					RH RoHS COMPLIANT
					

EXAMPLE:
KBMS-16-WC-10.0-C-N-IS-OM-IP68

Micro Circular Break Away Panel Mount

Optional IP68 Rating



Electrical-Mechanical Specifications

- Performance: _____ Product family tested to and passed or exceeded the performance specifications of Table VIII of MIL-DTL-83513
- Contact Resistance: _____ 26 Milliohm Max (65mV Drop Max) @ 2.5 Amps per MIL-DTL-83513
- Current Rating: _____ 3 Amps per MIL-DTL-83513
- Operating Temperature: _____ -55°C to 125°C (200°C with High Temp Epoxy)
IP68 overmold -55°C to 85°C
- Durability: _____ 500 mating cycles min
- Insulation Resistance: _____ 5000 megohms @ 500 VDC
- Shock: _____ 50 g's with no discontinuities > 1 microsecond
- Vibration: _____ 20 g's with no discontinuities > 1 microsecond
- Mating/Unmating Force: _____ 3 oz (0.085 kg) max per contact
- Thermal Vacuum Outgassing (Space Class): _____ NASA SP-R-0022

Material Specifications

- Contact: _____ Copper Alloy Per MIL-DTL-83513
- Contact Finish: _____ Gold per ASTM B488, Type II, Class 1.27, Code C Over Nickel Underplate
- Insulator: _____ Thermoplastic per MIL-M-24519
- Overmold: _____ Black Thermoplastic Polyurethane
- O-Ring: _____ BUNA-N
- Cable (Shielded): _____ 26 AWG, (7-34) Tinned Copper, PFA color coded, Black Polyurethane Jacket
- Wire: _____ 26 AWG (7-34) PTFE, color coded

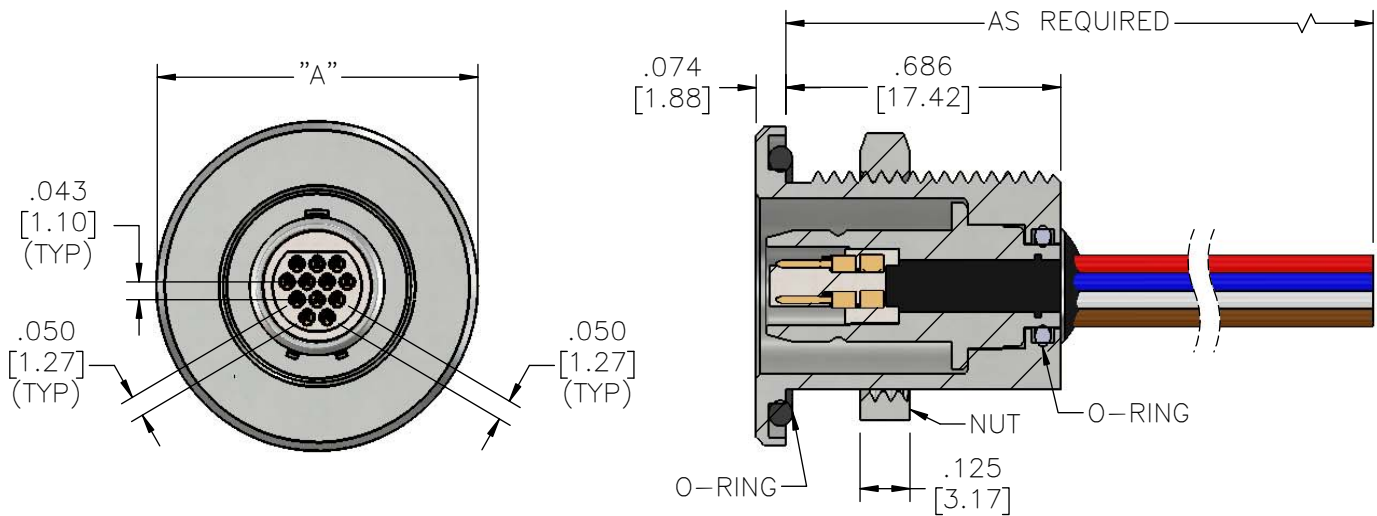
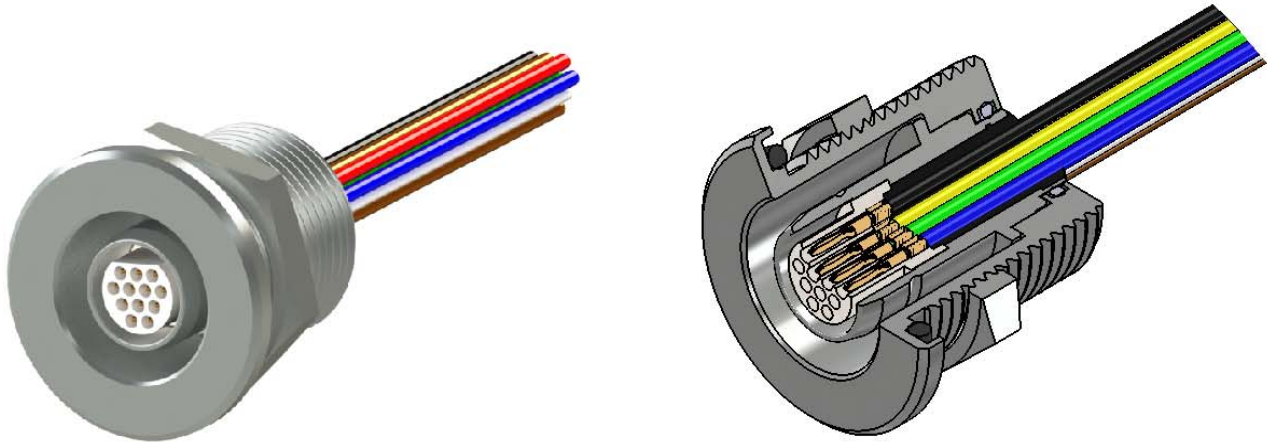
Shell Options

- Brass Alloy 360 1/2 Hard: _____ Electroless Nickel per SAE-AMS-2404
Black Nickel per MIL-P-18317
- Stainless Steel, 300 Series: _____ Passivated per SAE-AMS-2700
Black Oxide Finish per MIL-DTL-13924, Class 4*, Passivated per SAE-AMS-2700

* less resistance to salt spray test.

Metal - Pin - Keyed Break Away - Wired - Front Panel

KBMP-WD-FP

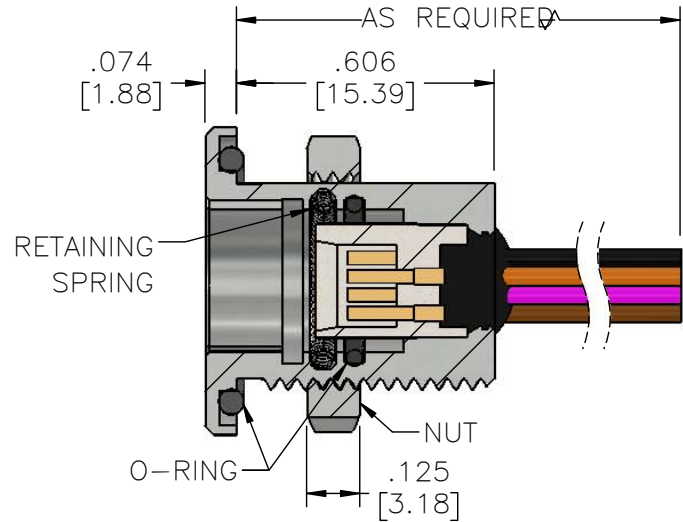
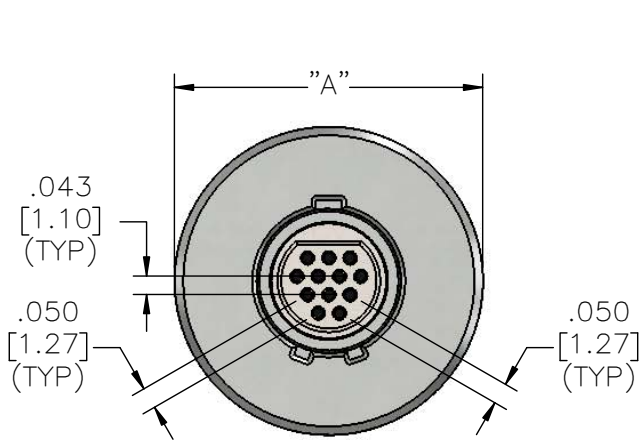
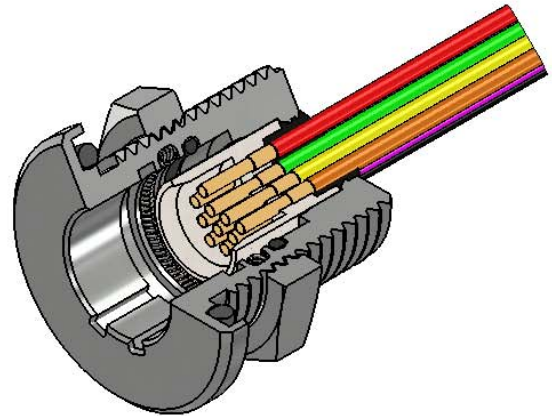


English (IN) Metric (MM)

Part #	Contacts	A	A
A22460-001	5	0.765	19.43
A22467-001	12	0.800	20.32
A22474-001	16	0.865	21.97
A22481-001	27	0.945	24.00
A22544-001	39	1.000	25.40

Metal - Socket - Keyed Break Away - Wired- Front Panel

KBMS-WD-FP

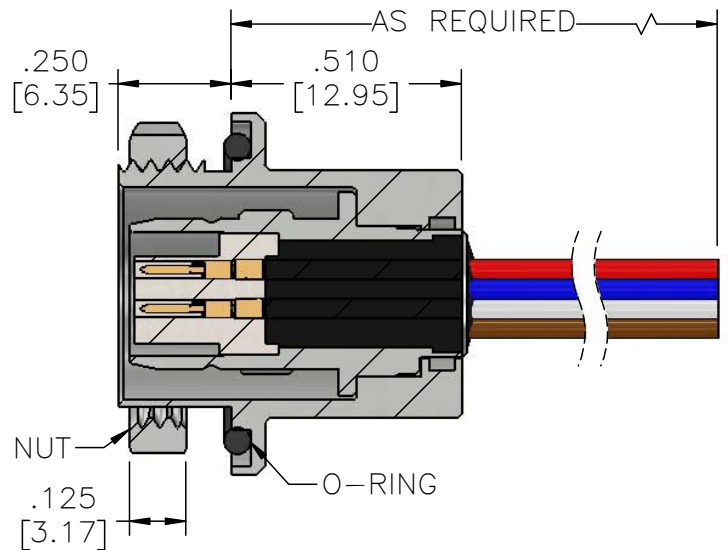
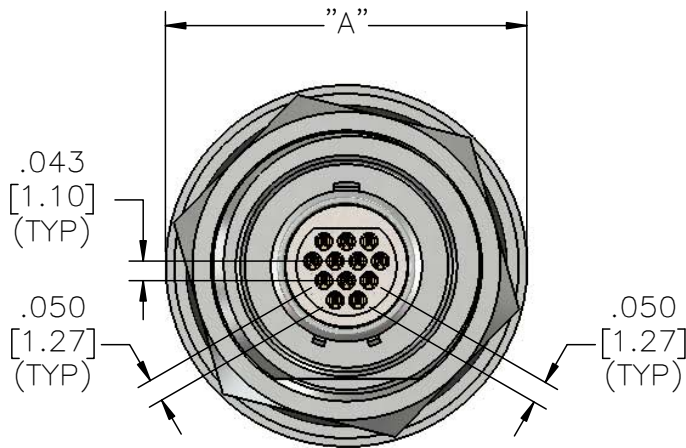
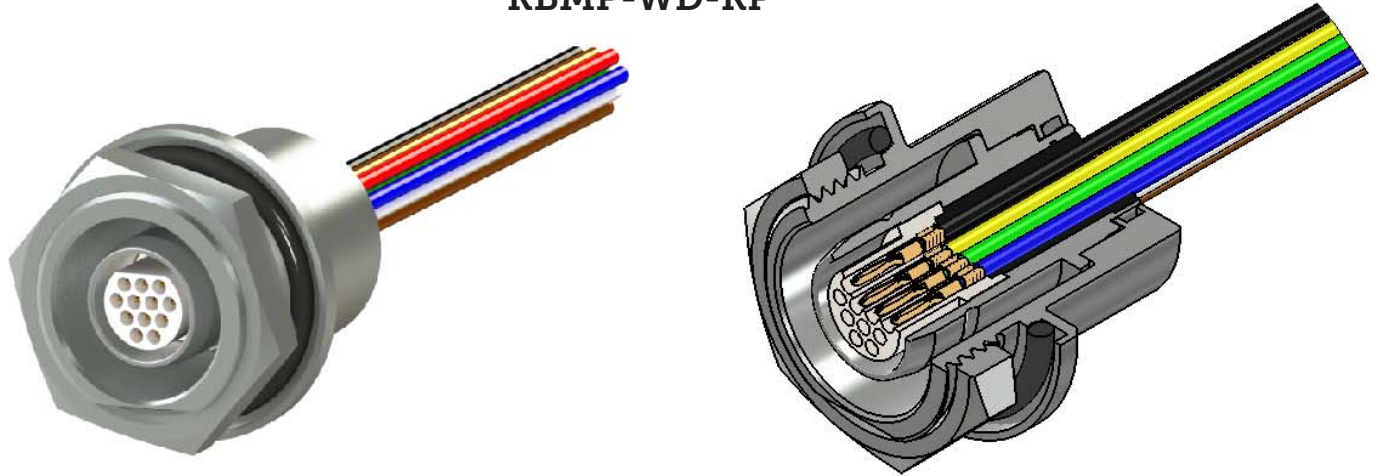


English (IN) Metric (MM)

Part #	Contacts	A	A
A22456-001	5	0.680	17.27
A22463-001	12	0.725	18.42
A22470-001	16	0.765	19.43
A22477-001	27	0.865	21.97
A22549-001	39	0.950	24.13

Metal - Pin - Keyed Break Away - Wired - Rear Panel

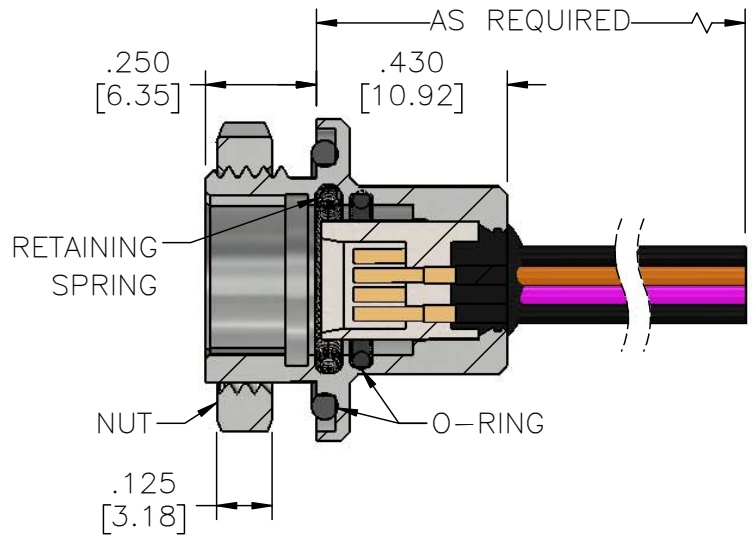
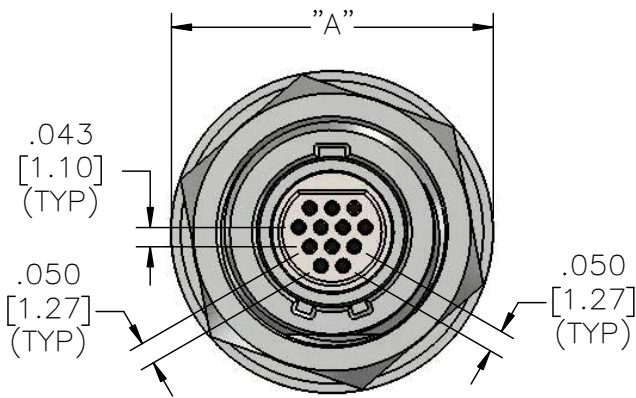
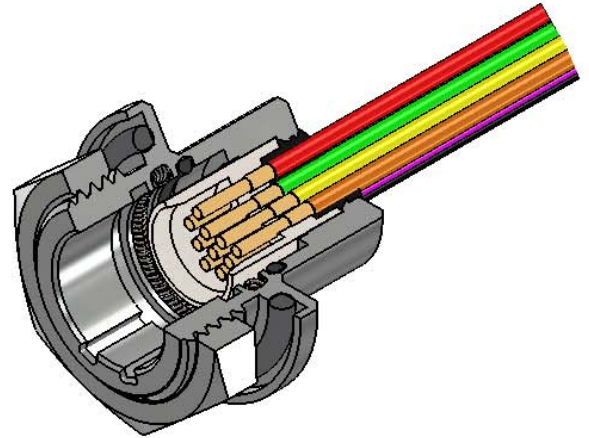
KBMP-WD-RP



Part #	Contacts	English (IN)	Metric (MM)
		A	A
A22461-001	5	0.765	19.43
A22468-001	12	0.800	20.32
A22475-001	16	0.865	21.97
A22482-001	27	0.945	24.00
A22545-001	39	1.000	25.40

Metal - Socket - Keyed Break Away - Wired - Rear Panel

KBMS-WD-RP

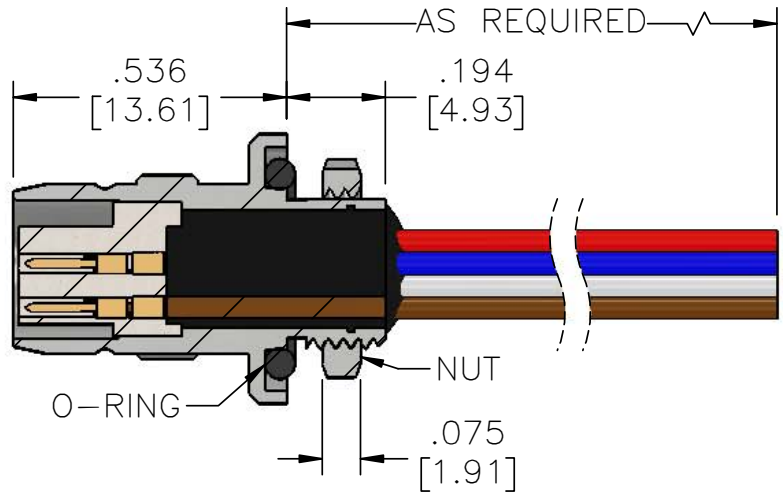
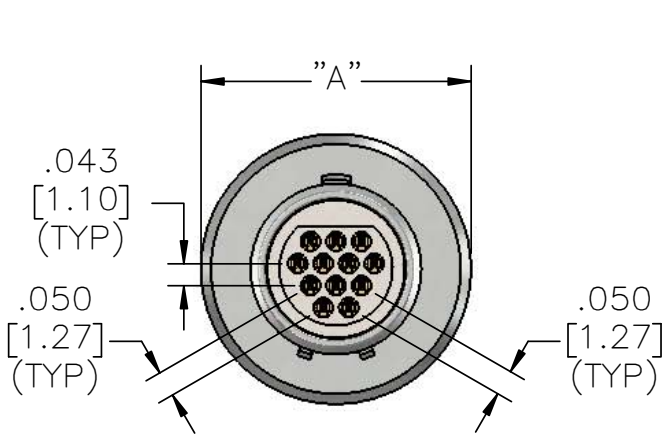
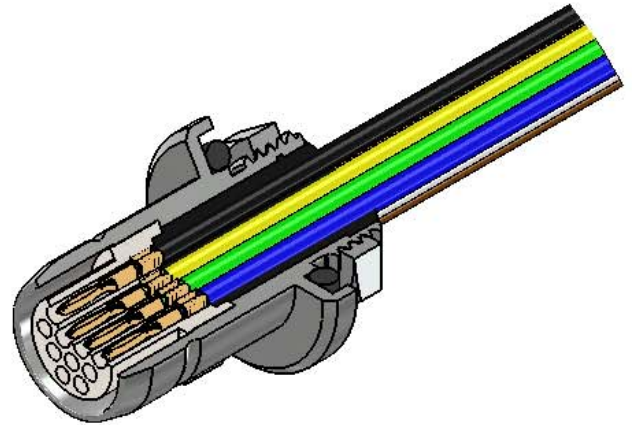
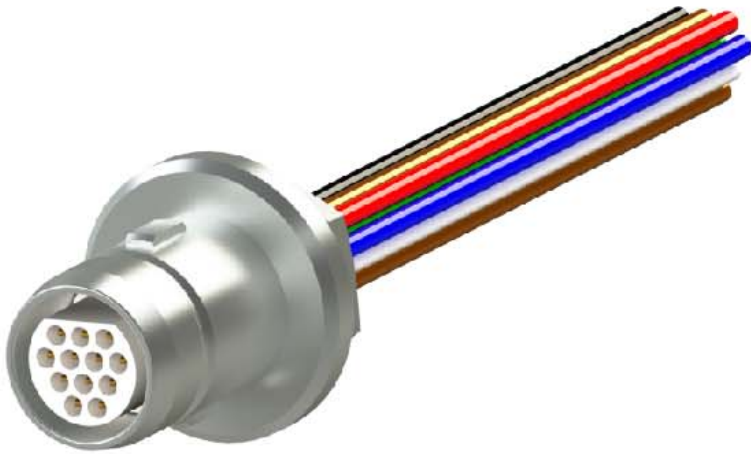


English (IN) Metric (MM)

Part #	Contacts	A	A
A22457-001	5	0.680	17.27
A22464-001	12	0.725	18.42
A22471-001	16	0.765	19.43
A22478-001	27	0.865	21.97
A22550-001	39	0.950	24.13

Metal - Pin - Keyed Break Away - Wired - Protruding Panel

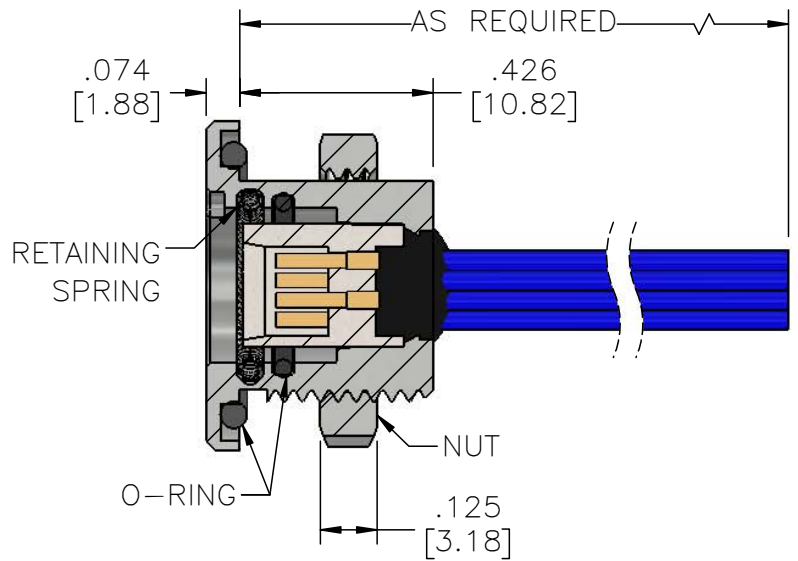
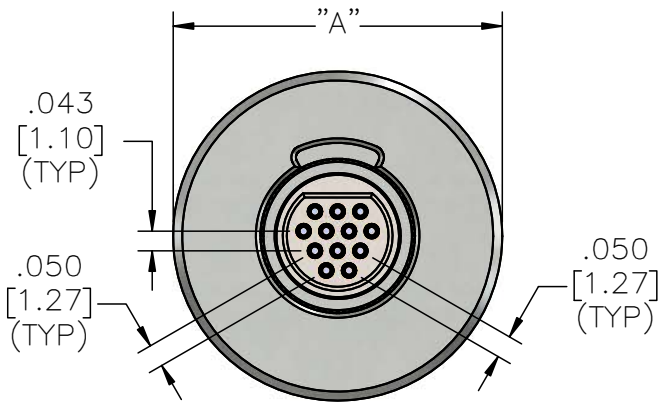
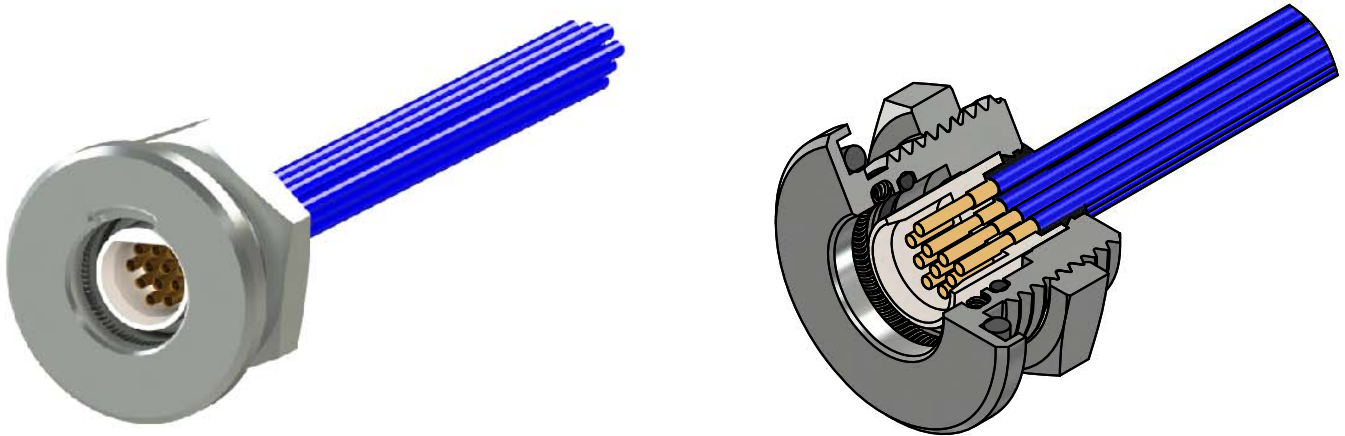
KBMP-WD-PP



Part #	Contacts	English (IN) Metric (MM)	
		A	A
A22459-001	5	0.490	12.45
A22466-001	12	0.530	13.46
A22473-001	16	0.620	15.75
A22480-001	27	0.655	16.64
A22546-001	39	0.735	18.67

Metal - Socket - Break Away - Wired - Front Panel

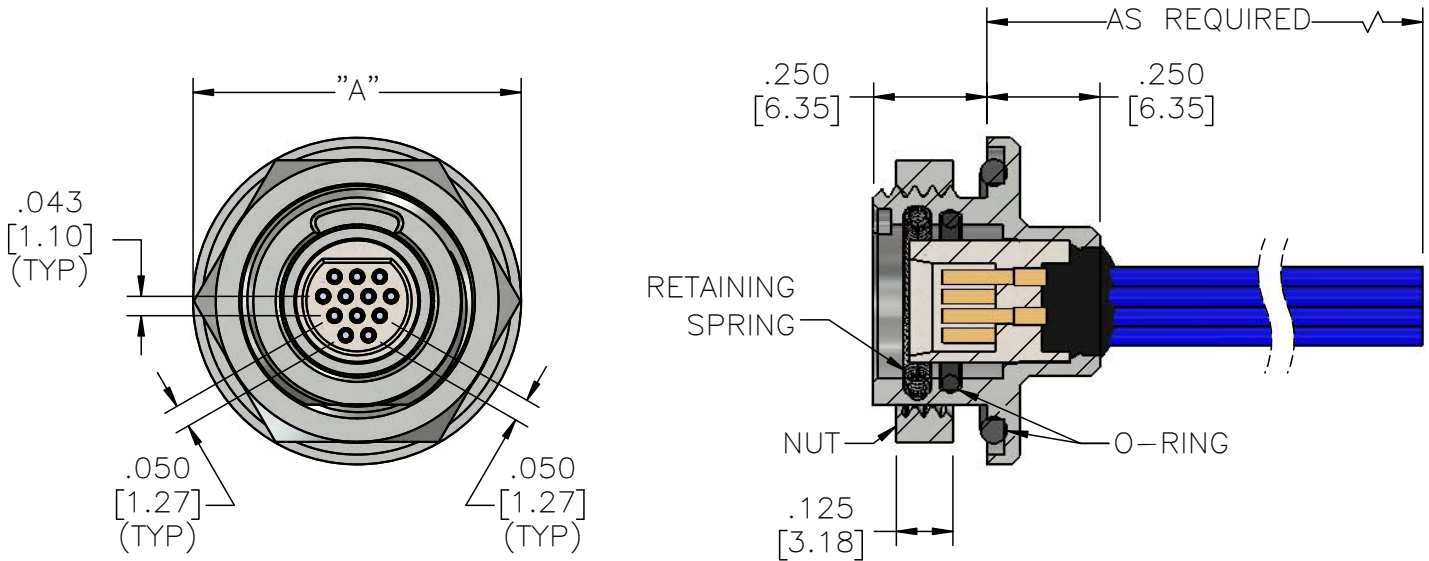
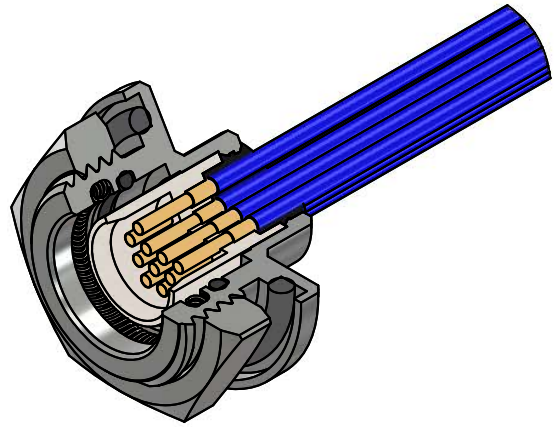
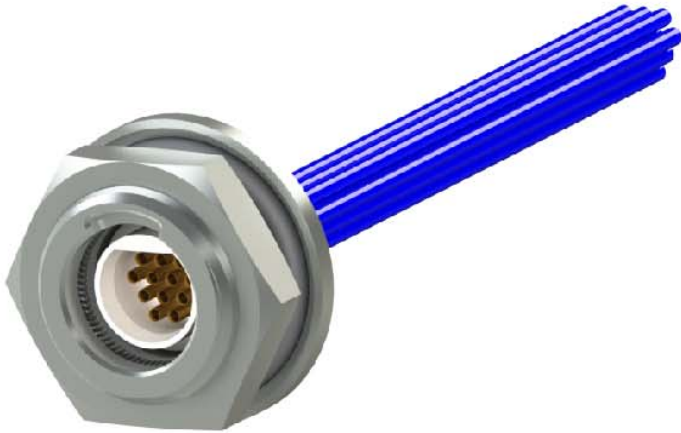
BAMS-WD-FP



English (IN) Metric (MM)

Part #	Contacts	A	A
A22431-001	5	0.680	17.27
A22436-001	12	0.725	18.42
A22441-001	16	0.765	19.43
A22446-001	27	0.865	21.97
A22540-001	39	0.945	24.00

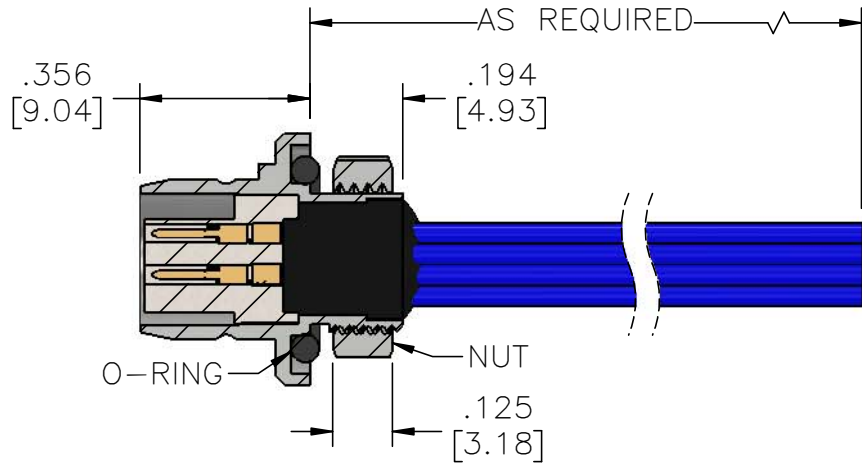
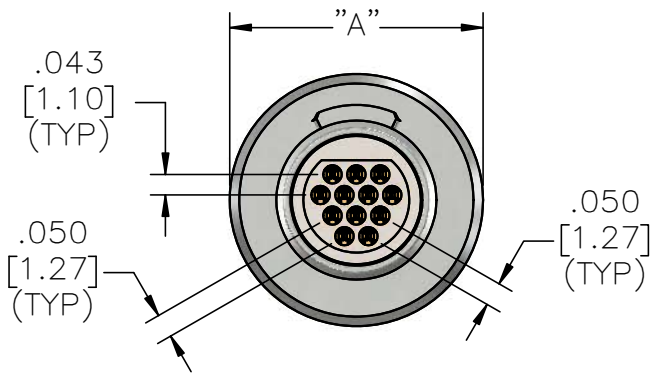
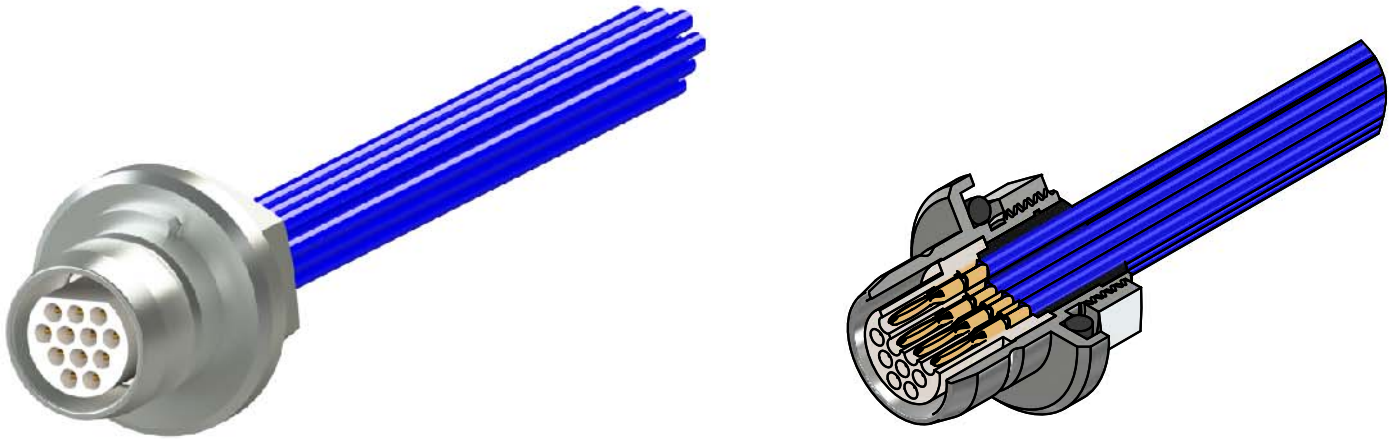
Metal - Socket - Break Away - Wired - Rear Panel BAMS-WD-RP



English (IN) Metric (MM)

Part #	Contacts	A	A
A22432-001	5	0.680	17.27
A22437-001	12	0.725	18.42
A22442-001	16	0.765	19.43
A22447-001	27	0.865	21.97
A22541-001	39	0.915	23.24

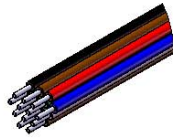








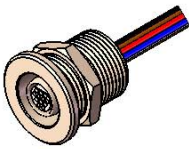
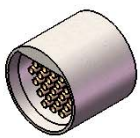






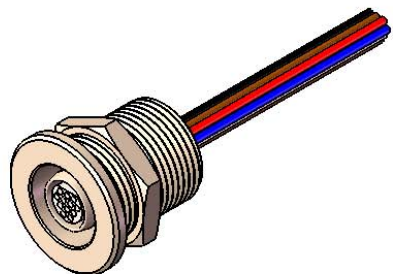
**Metal - Pin - Break Away -
Wired - Protruding Panel**
BAMP-WD-PP



English (IN) Metric (MM)

Part #	Contacts	A	A
A22435-001	5	0.490	12.45
A22440-001	12	0.530	13.46
A22445-001	16	0.620	15.75
A22450-001	27	0.655	16.64
A22537-001	39	0.745	18.92

BREAK AWAY MICRO CIRCULAR DISCRETE LEADWIRE/CABLE (TYPE WD/WC)

Series	# of Contacts	Termination Type	Shell Material and Finish	Shell Type	Options
KBM (Keyed Break Away)	5 12 16	WD: Discrete Lead Wire	Standard N: Nickel Plated Brass	RP: Rear Panel Mount	C Color Coded
BAM (Standard Break Away)	27 39				
Male (P - Pin)		WC: Cable	Non-Standard Options BN: Black Nickel Plated Brass		OR O-Ring
				FP: Front Panel Mount	
Female (S - Socket)		Wire/Cable Length: 18.0=18.0" Standard Option "XX.X" = Custom Length i.e. 23.4" 26 AWG Max	P: Passivated Stainless Steel		RH RoHS COMPLIANT
					
			OX: Black Oxide Finished Steel	PP: Protruding Panel Mount (male only)	IP68
					
					
		EXAMPLE: KBMP-12-WD-10.0-C-FP-N-OR			