

# SHIELDED MINI-CON-X<sup>®</sup>

0.760" [19MM] OD 2-8 CONTACTS



**CABLE END - SOCKET**  
MATES WITH PANEL MOUNT



**CABLE END - PIN**  
MATES WITH PANEL MOUNT



**PANEL MOUNT - PIN**  
MATES WITH CABLE END



**PANEL MOUNT - SOCKET**  
MATES WITH CABLE END



**MOLDED CABLE END ASSEMBLY**



**MOLDED RIGHT ANGLE CABLE ASSEMBLY**

## **SPECIFICATIONS**

### **Mechanical Specifications**

Life:	400 insertion / withdrawal cycles minimum
Vibration:	MIL-STD 202G Method 201A
Hex Nut Torque:	10-12 in-lb max tightening torque.
Coupling Locking Style:	Threaded Coupling Ring
Backshell Style:	Threaded

### **Electrical Specifications**

Voltage Rating:	600 VAC/DC
Current Rating:	13.0 A – max (See page 107 for Electrical Current Rating Chart)
Conductor Size:	2 through 6 #16 contacts accepts 16 AWG 2 through 8 #20 contacts accepts 20 AWG

### **Environmental Specifications**

Operating Temperature Rating:	-40°C to +85°C (-40°F to +185°F)
Salt Atmosphere (Corrosion):	Method 106F, Mil-Std 202
Weathertight:	IP66 / IP68 NEMA 250 (6P) (when mated)

### **Material Specifications**

Backshell & Strap:	Thermoplastic
Contacts:	Copper Alloy, Gold over Nickel Plate
Coupling Ring:	Nickel Plated Copper Alloy
Inserts:	Thermoplastic
Grommet / Strain Relief:	Elastomer
O-Ring:	Elastomer
Shell:	Nickel Plated Copper Alloy
Cable Housing:	Nickel Plated Copper Alloy
Screws:	Stainless Steel

### **Molded Cable Assemblies**

Weathertight:	IP66 / IP68 NEMA 250 (6P) (when mated)
---------------	--

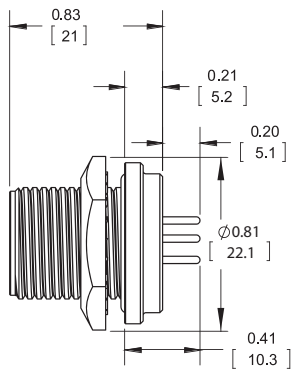
### **Certifications**

Not for current interruption  
RoHS compliant

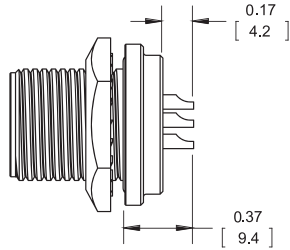
### **Options**

Flame Rating:	UL 94HB
---------------	---------

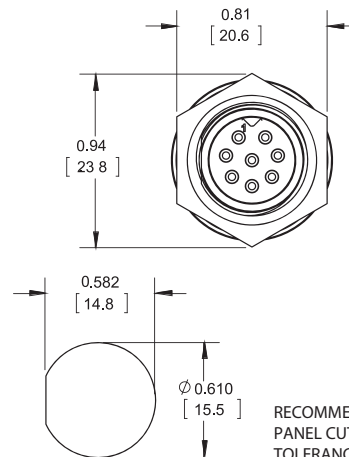
## PANEL MOUNT ASSEMBLY KITS



SF7X81-XXG-3XX  
PANEL MOUNT CONNECTOR  
PC TAIL

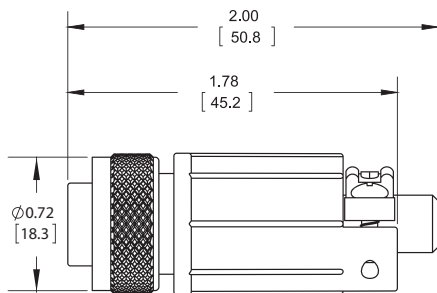


SF7X82-XXG-3XX  
PANEL MOUNT CONNECTOR  
SOLDER CUP

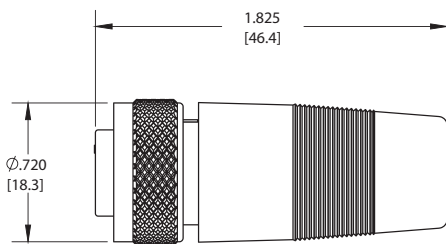


RECOMMENDED  
PANEL CUT-OUT  
TOLERANCE: ±0.003 [0.08]

## FIELD INSTALLABLE KITS

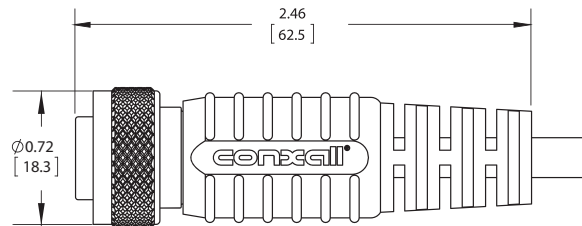


SF6X82-XXG-5XX  
CABLE CONNECTOR  
SOLDER CUP

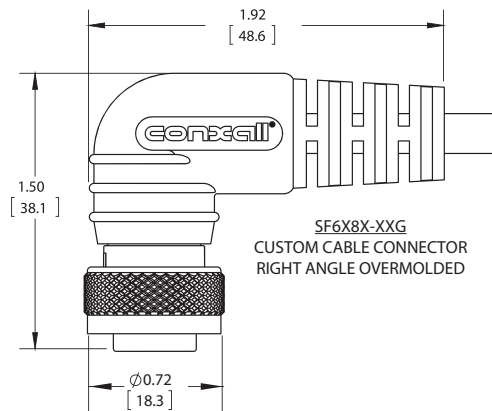


SF6X8X-XXG  
CUSTOM CABLE CONNECTOR  
STRAIGHT OVERMOLDED (Alternative)

## CUSTOM MOLDED CABLE ASSEMBLIES



SF6X8X-XXG  
CUSTOM CABLE CONNECTOR  
STRAIGHT OVERMOLDED

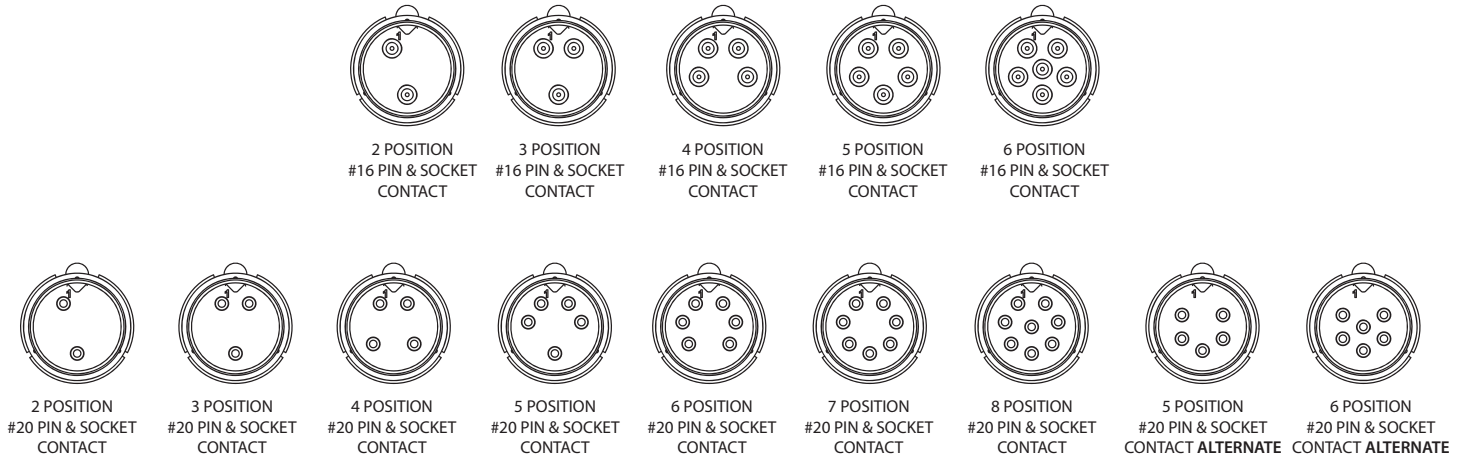


SF6X8X-XXG  
CUSTOM CABLE CONNECTOR  
RIGHT ANGLE OVERMOLDED

All dimensions are for reference only. Units shown: in[mm].

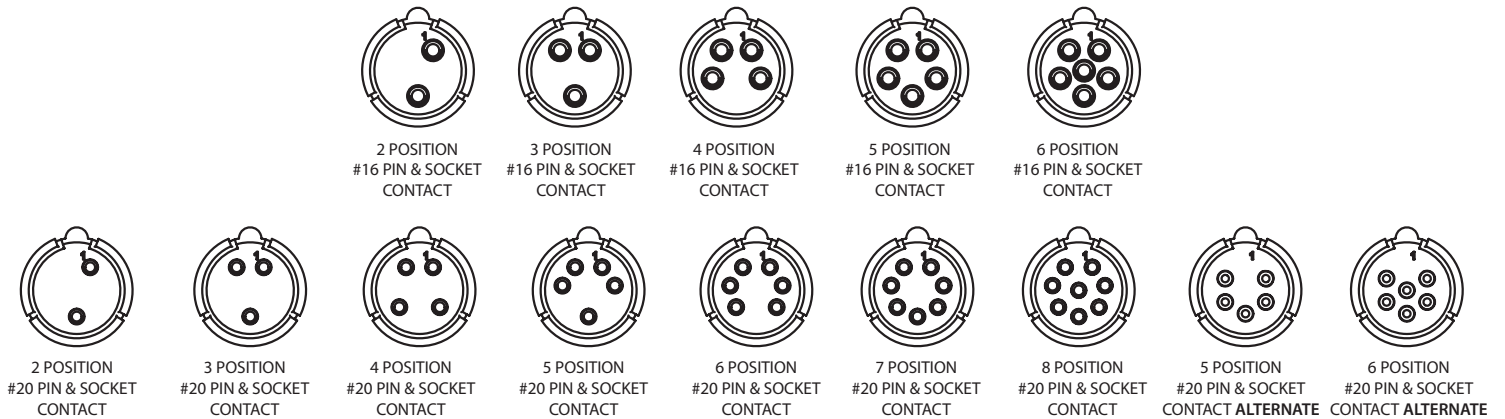
## PANEL MOUNT CONNECTOR

### Front View



## PANEL MOUNT CONNECTOR

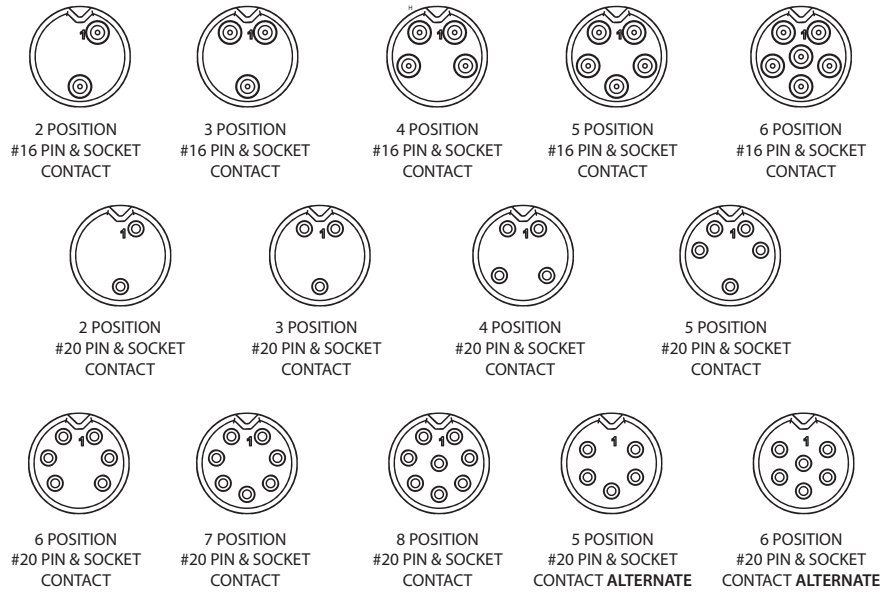
### Wire View



All dimensions are for reference only. Units shown: in[mm].

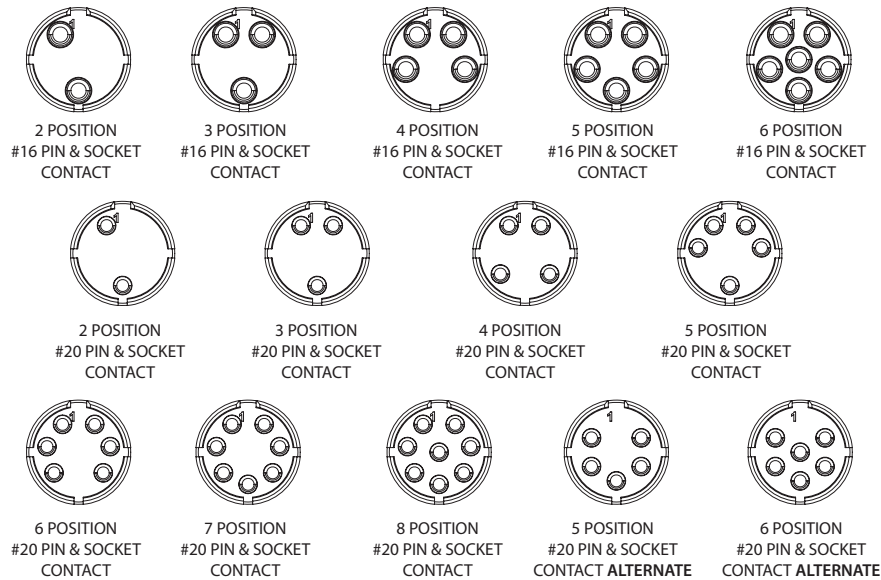
## CABLE CONNECTORS

### Front View



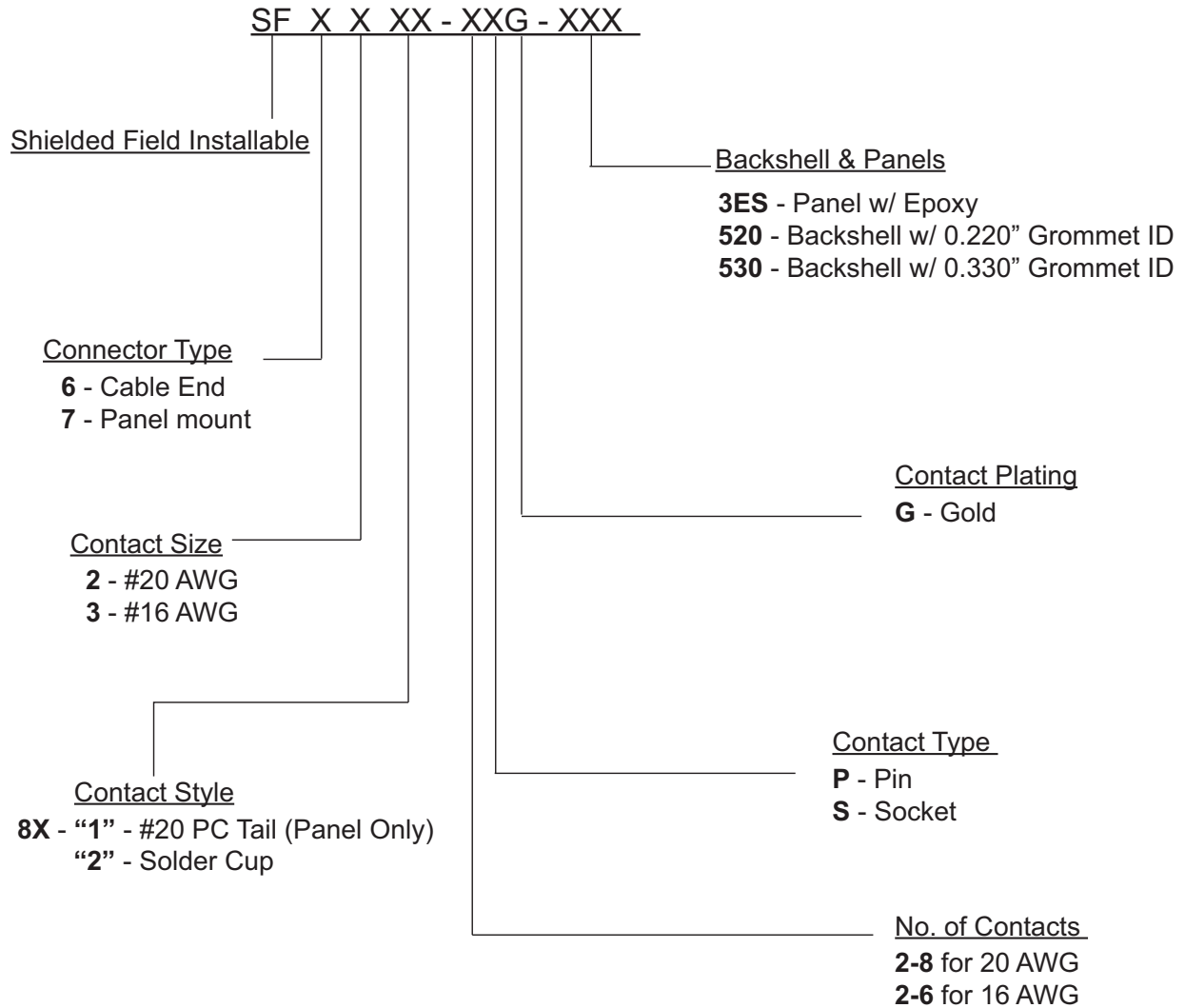
## CABLE CONNECTORS

### Wire View



All dimensions are for reference only. Units shown: in[mm].

## PART NUMBER TO ORDER



Consult factory for connectors with alternate 5-20AWG and 6-20AWG contact arrangements.