

NEW PRODUCT BULLETIN 636

PC TAIL CONTACT
NANO-MIZER®
M8 PANEL CONNECTORS

CLARKE & SEVERN ELECTRONICS

Ph: +612 9482 1944

Email: sales@clarke.com.au

www.cseonline.com.au



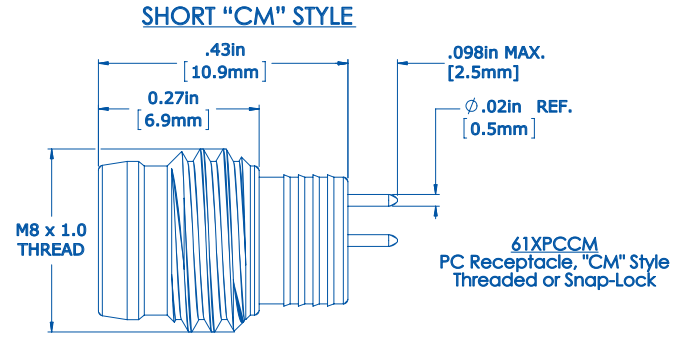
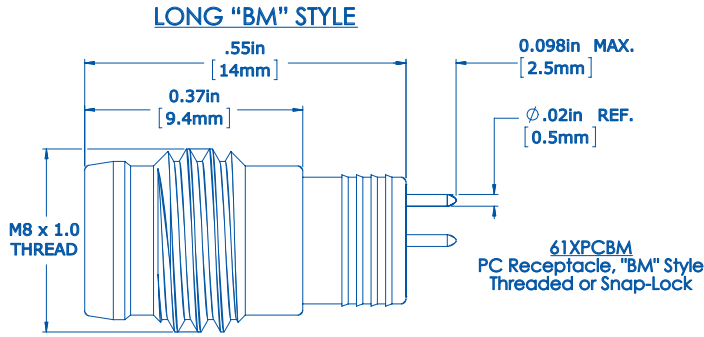
Switchcraft®
CONXALL®

HARSH ENVIRONMENT CONNECTIVITY SOLUTIONS

SENSOR-LINK

601 EAST WILDWOOD, VILLA PARK, IL 60181 | PHONE: 630-834-7504 | SALES@CONXALL.COM

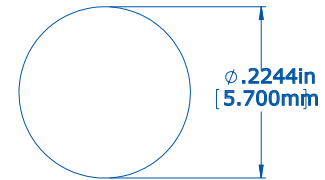
DIMENSIONS



KEY FEATURES

- Compatible with Nano-Mizer® M8 cables
- Compliant with IEC 61076-2-104 for circular connectors with M8 screw-locking and snap-locking
- Available with 3 or 4 #20 male pin contacts
- Short and long versions available
- Compatible with both snap-in and threaded connectors
- Rated for 3 Amps and 50 VAC / 60 VDC
- Rugged, nickel plated brass housing

RECOMMENDED PANEL CUTOUT



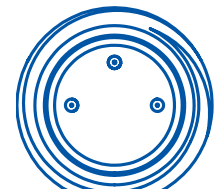
TOLERANCE: +.0006/-0in
[0.015/-0mm]

PART NUMBERS

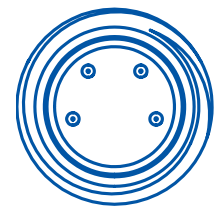
	3-Position	4-Position
Long Backshell	613PCBM	614PCBM
Short Backshell	613PCCM	614PCCM

CONFIGURATIONS

(Panel Mount Wire View)



3 Position
#20 Pin Contact
PC Tail



4 Position
#20 Pin Contact
PC Tail

MATING CABLES

