

# MEGA-CON-X<sup>®</sup>

1.29" [32MM] OD 31 CONTACTS



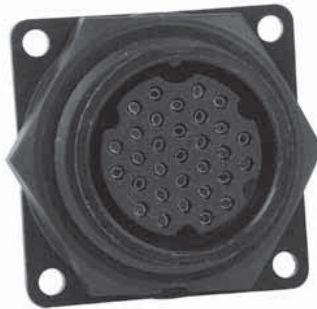
**CABLE END - SOCKET**  
MATES WITH PANEL MOUNT



**CABLE END - PIN**  
MATES WITH PANEL MOUNT



**PANEL MOUNT - PIN**  
MATES WITH CABLE END



**PANEL MOUNT - SOCKET**  
MATES WITH CABLE END



**DUST CAP**  
P/N - 24295



**MOLDED CABLE END ASSEMBLY**



**MOLDED RIGHT ANGLE CABLE ASSEMBLY**

## **SPECIFICATIONS**

### **Mechanical Specifications**

Life:	300 insertion / withdrawal cycles minimum
Vibration:	Coupling rings have overriding locking feature to prevent loosening or separation of connector
Hex Nut Torque:	10 in-lb max tightening torque.
Coupling Style:	Bayonet with ribbed coupling nut (winged coupling nut available)
Backshell Style:	Threaded
Conductor Size:	#20 contacts accepts 20 through 24 AWG

### **Electrical Specifications**

Voltage Rating:	600V AC
Current Rating:	2.3 A – max (See page 107 for Electrical Current Rating Chart)

### **Environmental Specifications**

Operating Temperature Rating:	-40°C to +85°C (-40°F to +185°F)
Salt Atmosphere (Corrosion):	300 Hr salt spray when mated
Weathertight:	IP67 when mated

### **Material Specifications**

Backshell:	Thermoplastic, UL 94HB, Black
Contacts:	Copper Alloy, Gold over Nickel Plate
Coupling Ring:	Thermoplastic, UL 94HB, Black
Gasket:	Elastomer, Black
Grommet / Strain Relief:	Elastomer, Black
Hex Nut:	Thermoplastic, UL 94HB, Black
O-Ring:	Elastomer, Black
Shell:	Thermoplastic, UL 94HB, Black
Optional Dust Cap:	Elastomer, Black

### **Molded Cable Assemblies**

Weathertight:	NEMA 6P, 13: IEC IP67
---------------	-----------------------

### **Certifications**

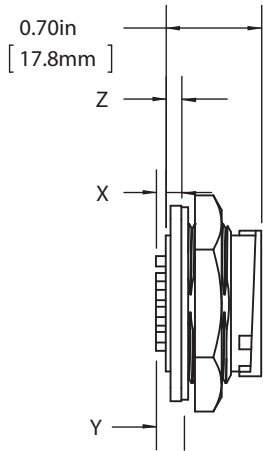
UL File E150822  
CSA File 181200  
Not for current interruption  
RoHS compliant  
REACH compliant

### **Options**

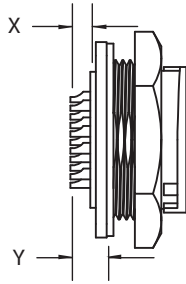
UV Rating:	F1 available
Flame Rating:	UL 94V-0 available

**Consult factory for optional colors and materials**

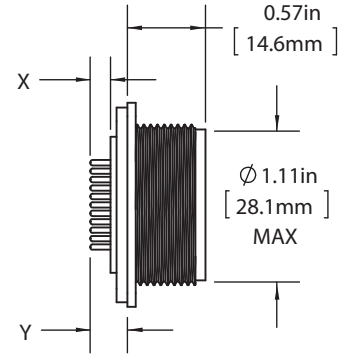
## PANEL MOUNT ASSEMBLY KITS



24280-31XG-3XX  
PANEL MOUNT CONNECTOR  
CRIMP

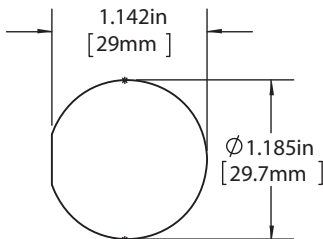
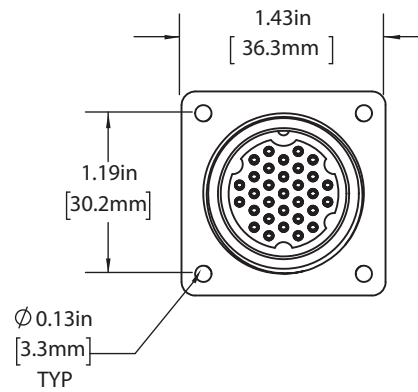
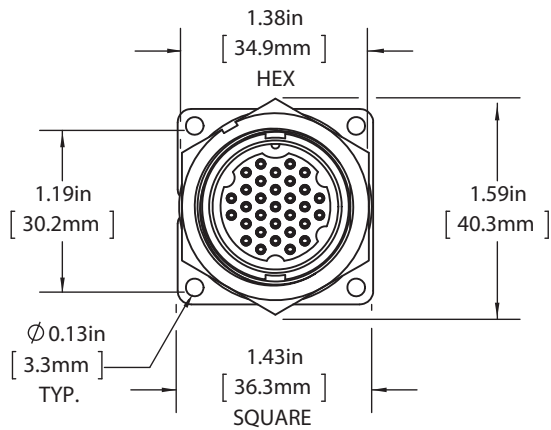


24282-31XG-3XX  
PANEL MOUNT CONNECTOR  
SOLDER CUP

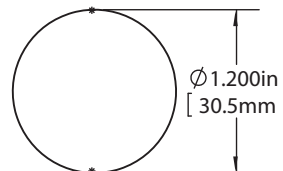


242XX-31XG-3XX  
PANEL MOUNT CONNECTOR  
PC TAIL

\*X, Y, Z - CONSULT FACTORY



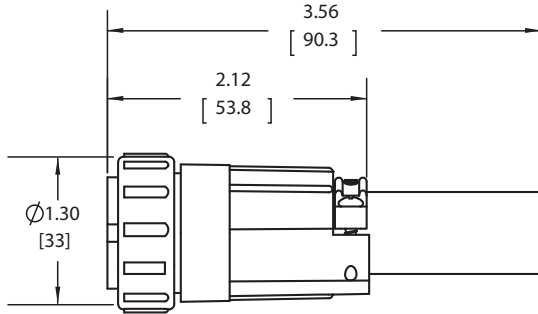
RECOMMENDED  
PANEL CUT-OUT  
QUICK CONNECT TYPE  
TOLERANCE:  $\pm 0.003$  [0.08mm]



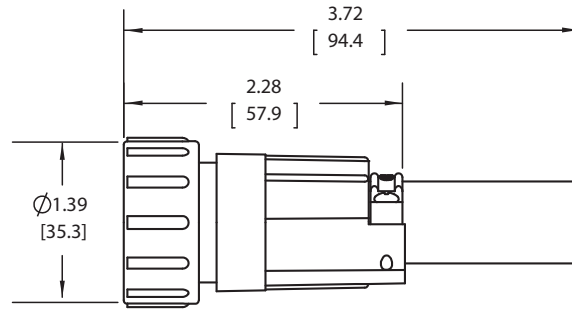
RECOMMENDED  
PANEL CUT-OUT  
THREADED TYPE  
TOLERANCE:  $\pm 0.003$  [0.08mm]

All dimensions are for reference only. Units shown: in[mm].

## FIELD INSTALLABLE KITS

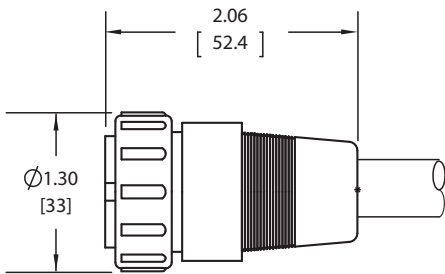


**232XX-31XG-3XX**  
FIELD INSTALLABLE QUICK CONNECT TYPE  
CABLE CONNECTOR - BACKSHELL TYPE 3

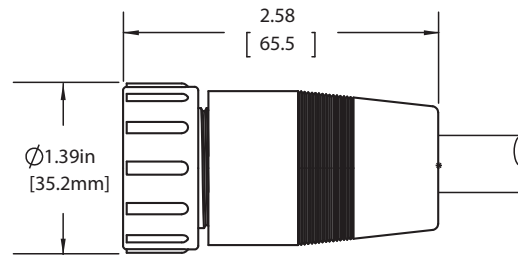


**232XX-31XG-T3XX**  
FIELD INSTALLABLE THREADED TYPE  
CABLE CONNECTOR - BACKSHELL TYPE 3

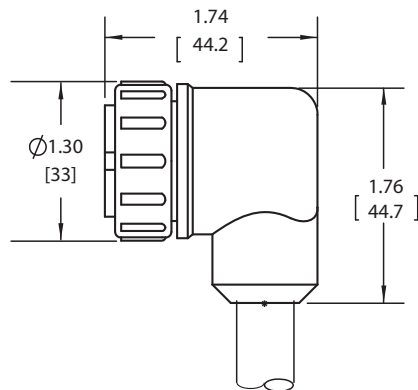
## CUSTOM MOLDED CABLE ASSEMBLIES



**232XX-31XG**  
CUSTOM CABLE CONNECTOR STRAIGHT OVERMOLDED  
QUICK CONNECT TYPE



**232XX-31XG**  
CUSTOM CABLE CONNECTOR STRAIGHT OVERMOLDED  
THREADED CONNECT TYPE

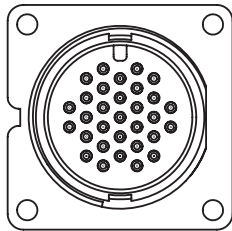


**232XX-31XG**  
CUSTOM CABLE CONNECTOR RIGHT ANGLE OVERMOLDED  
QUICK CONNECT TYPE

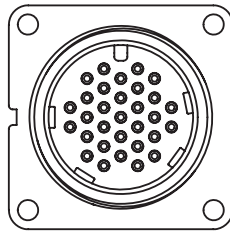
All dimensions are for reference only. Units shown: in[mm].

## PANEL MOUNT CONNECTORS

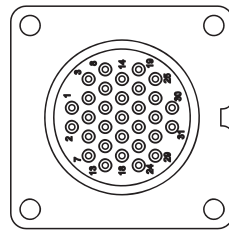
Front View | Wire View



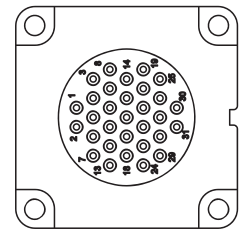
QUICK CONNECT TYPE  
SINGLE KEY  
31-POSITION  
#20 PIN CONTACT



THREADED TYPE  
5 KEY  
31-POSITION  
#20 PIN CONTACT



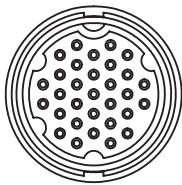
QUICK CONNECT TYPE  
SINGLE KEY  
31-POSITION  
#20 PIN CONTACT



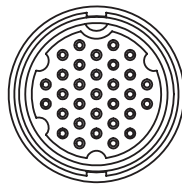
THREADED TYPE  
5 KEY  
31-POSITION  
#20 PIN CONTACT

## CABLE CONNECTORS

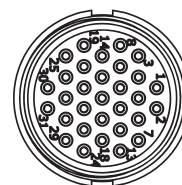
Front View | Wire View



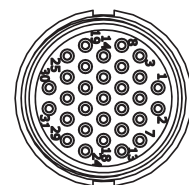
QUICK CONNECT TYPE  
5 KEY  
31-POSITION  
#20 PIN CONTACT



THREADED TYPE  
5 KEY  
31-POSITION  
#20 PIN CONTACT



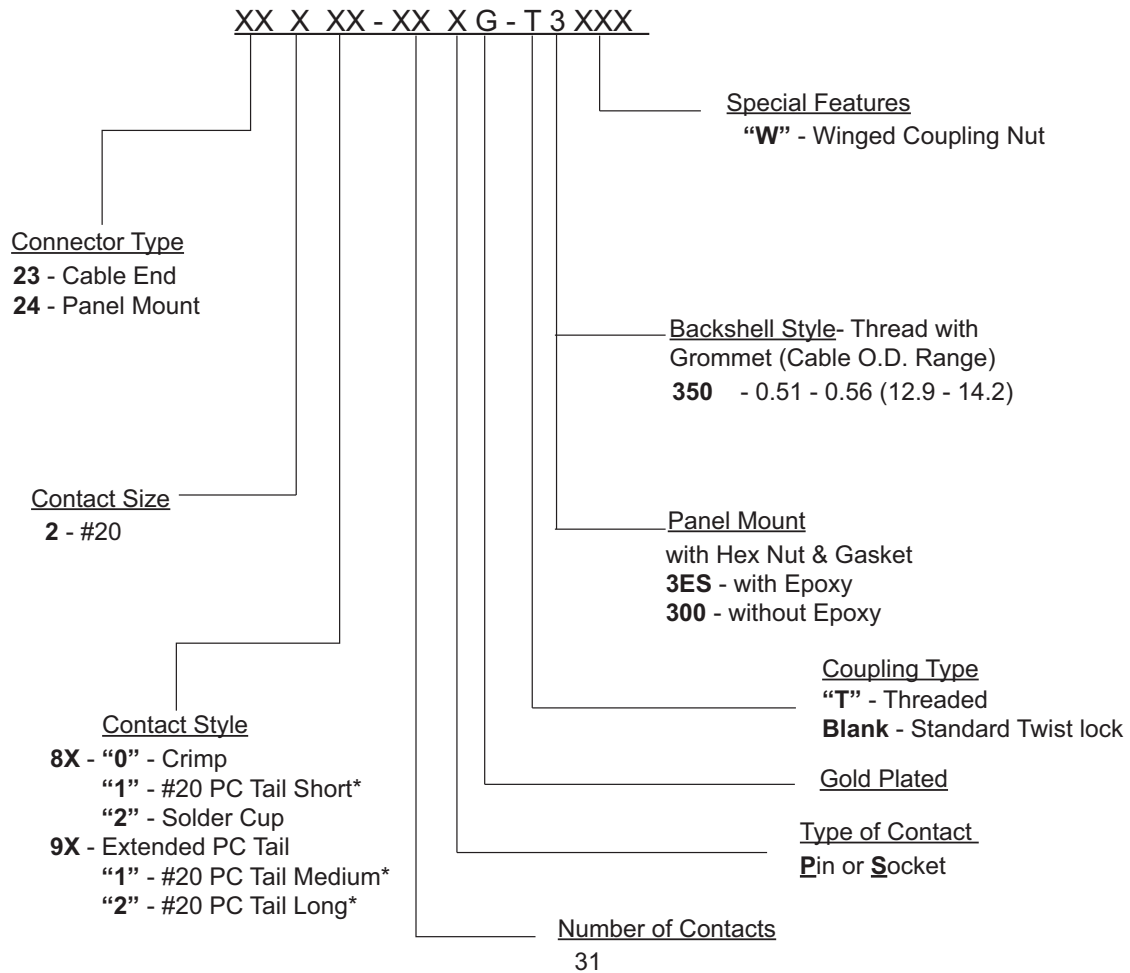
QUICK CONNECT TYPE  
5 KEY  
31-POSITION  
#20 PIN CONTACT



THREADED TYPE  
5 KEY  
31-POSITION  
#20 PIN CONTACT

All dimensions are for reference only. Units shown: in[mm].

## PART NUMBER TO ORDER



\*Consult factory for length and diameter of PC Tail. Additionally, alternative colors and materials are available.