

# MAXI-CON-X<sup>®</sup>

1.17" [29MM] OD 7, 10, 18 & 20 CONTACTS



**CABLE END - SOCKET**  
 MATES WITH PANEL MOUNT AND  
 CABLE TO CABLE



**CABLE END - PIN**  
 MATES WITH PANEL MOUNT AND  
 CABLE TO CABLE



**CABLE TO CABLE / INLINE - PIN**  
 MATES WITH CABLE END



**PANEL MOUNT - PIN**  
 MATES WITH CABLE END



**PANEL MOUNT - SOCKET**  
 MATES WITH CABLE END



**DUST CAP**  
 P/N - 14295



**MOLDED CABLE END ASSEMBLY**



**MOLDED CABLE TO CABLE ASSEMBLY**



**MOLDED RIGHT ANGLE CABLE ASSEMBLY**

## **SPECIFICATIONS**

### **Mechanical Specifications**

Life:	300 insertion / withdrawal cycles minimum
Vibration:	Coupling rings have overriding locking feature to prevent loosening or separation of connector
Hex Nut Torque:	10 in-lb max tightening torque.
Coupling Locking Style:	Bayonet with ribbed coupling nut (winged coupling nut available) P/N 14482
Backshell Style:	Threaded
Conductor Size:	#12 contacts accepts 12 through 14 AWG #16 contacts accepts 16 through 18 AWG #20 contacts accepts 20 through 24 AWG

### **Electrical Specifications**

Voltage Rating:	600V DC / 480V AC
Current Rating:	23.0 A – max (See page 107 for Electrical Current Rating Chart)

### **Environmental Specifications**

Operating Temperature Rating:	-40°C to +85°C (-40°F to +185°F)
Salt Atmosphere (Corrosion):	300 Hr salt spray when mated
Weathertight:	IP67 when mated

### **Material Specifications**

Backshell:	Thermoplastic, UL 94HB, Black
Contacts:	Copper Alloy, Gold over Nickel Plate
Coupling Ring:	Thermoplastic, UL 94HB, Black
Gasket:	Elastomer, Black
Grommet / Strain Relief:	Elastomer, Black
Hex Nut:	Thermoplastic, UL 94HB, Black
O-Ring:	Elastomer, Black
Shell:	Thermoplastic, UL 94HB, Black
Optional Dust Cap:	Elastomer, Black

### **Molded Cable Assemblies**

Weathertight:	NEMA 6P, 13: IEC IP67
---------------	-----------------------

### **Certifications**

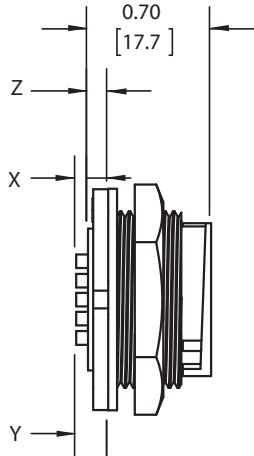
UL File E150822  
CSA File 181200  
Not for current interruption  
RoHs compliant  
REACH compliant

### **Options**

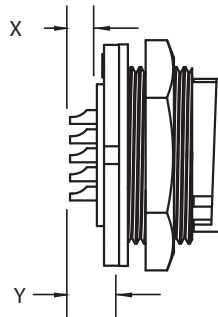
UV Rating:	F1 available
Flame Rating:	UL 94V-0 available

**Consult factory for optional colors and materials**

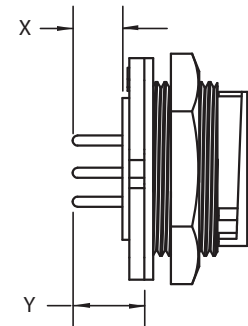
## PANEL MOUNT ASSEMBLY KITS



**14X80-XXG-3XX**  
PANEL MOUNT CONNECTOR  
CRIMP

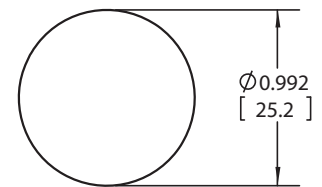
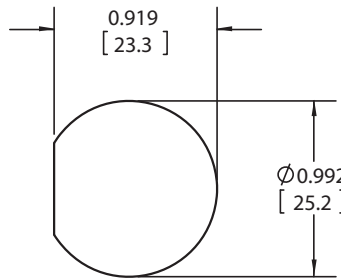
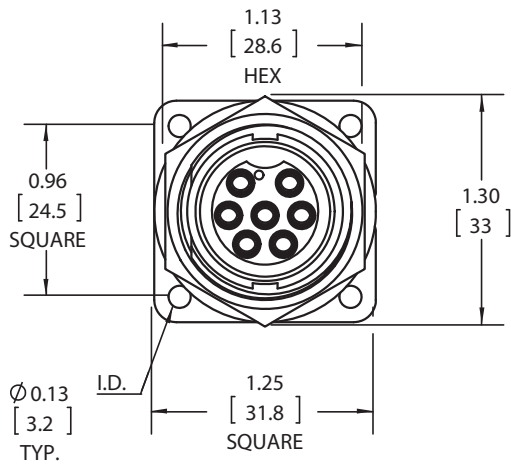


**14X82-XXG-3XX**  
PANEL MOUNT CONNECTOR  
SOLDER CUP



**14XXX-XXG-3XX**  
PANEL MOUNT CONNECTOR  
PC TAIL

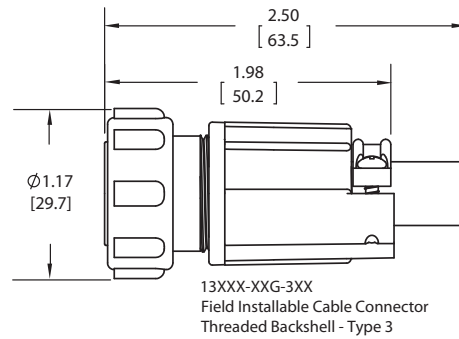
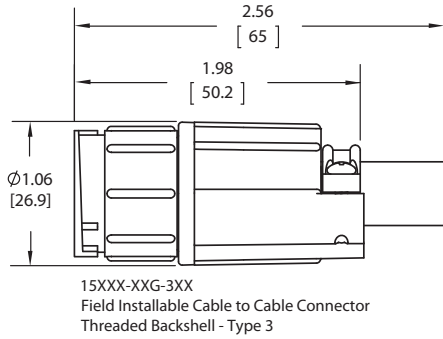
\* X, Y, Z - CONSULT FACTORY



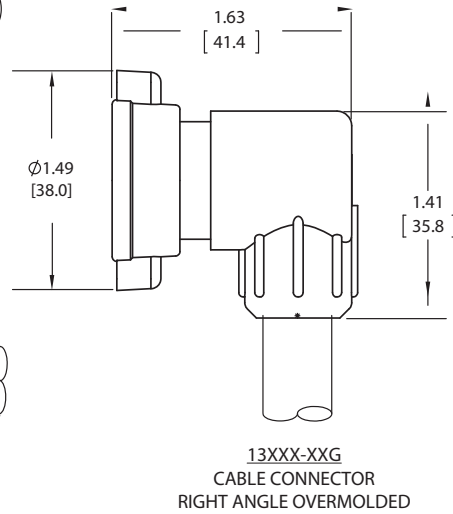
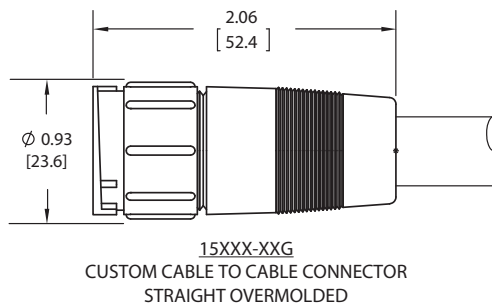
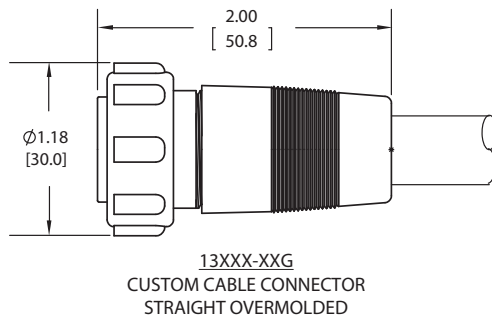
RECOMMENDED  
PANEL CUT-OUT  
TOLERANCE: ±0.003 [0.08]

All dimensions are for reference only. Units shown: in[mm].

## FIELD INSTALLABLE KITS



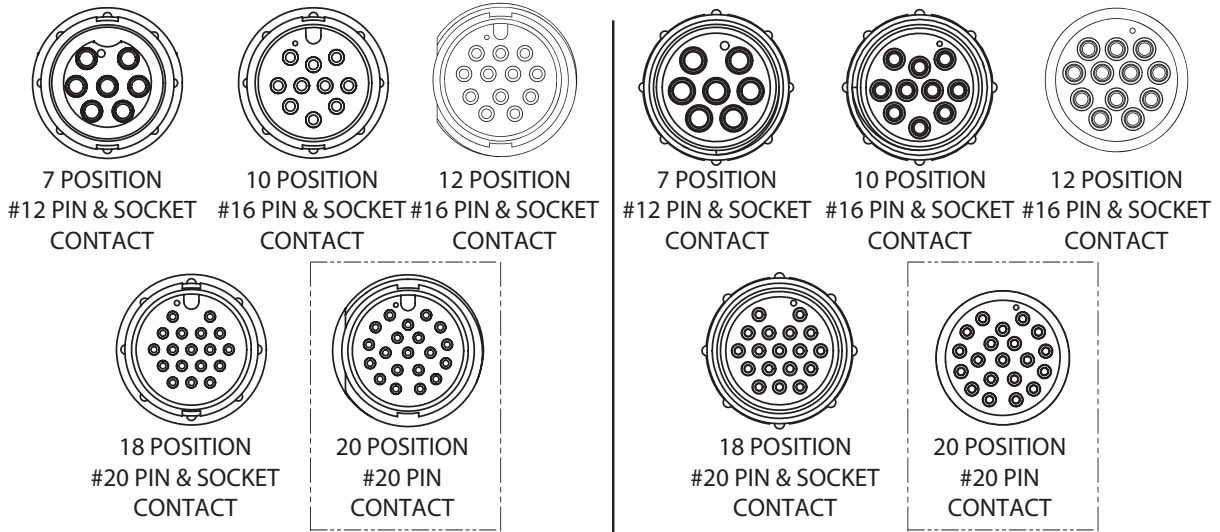
## CUSTOM MOLDED CABLE ASSEMBLIES



All dimensions are for reference only. Units shown: in[mm].

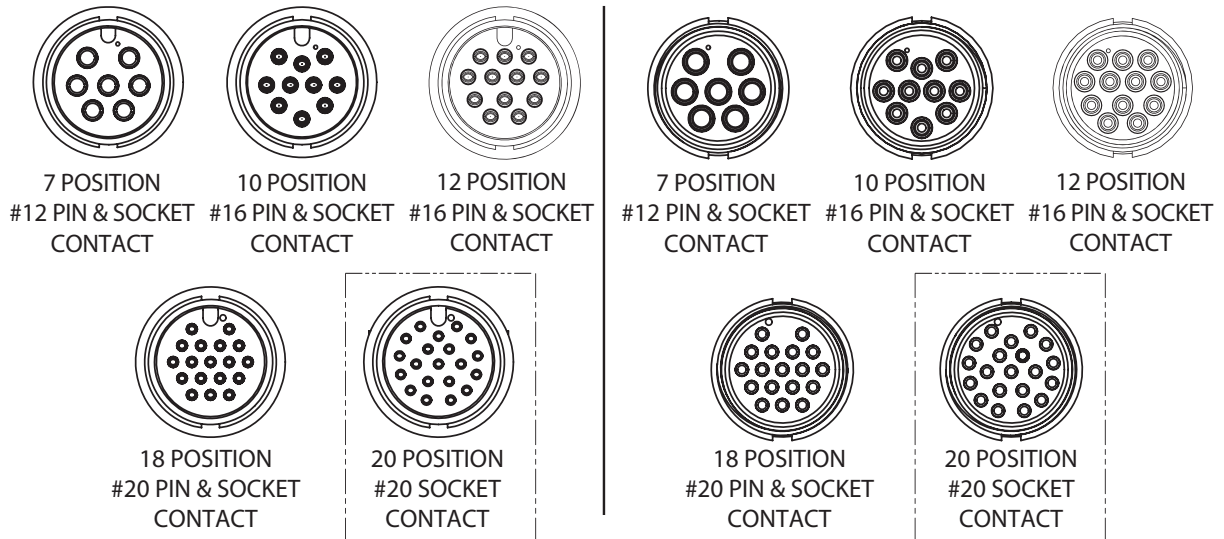
## PANEL MOUNT CONNECTORS

Front View | Wire View



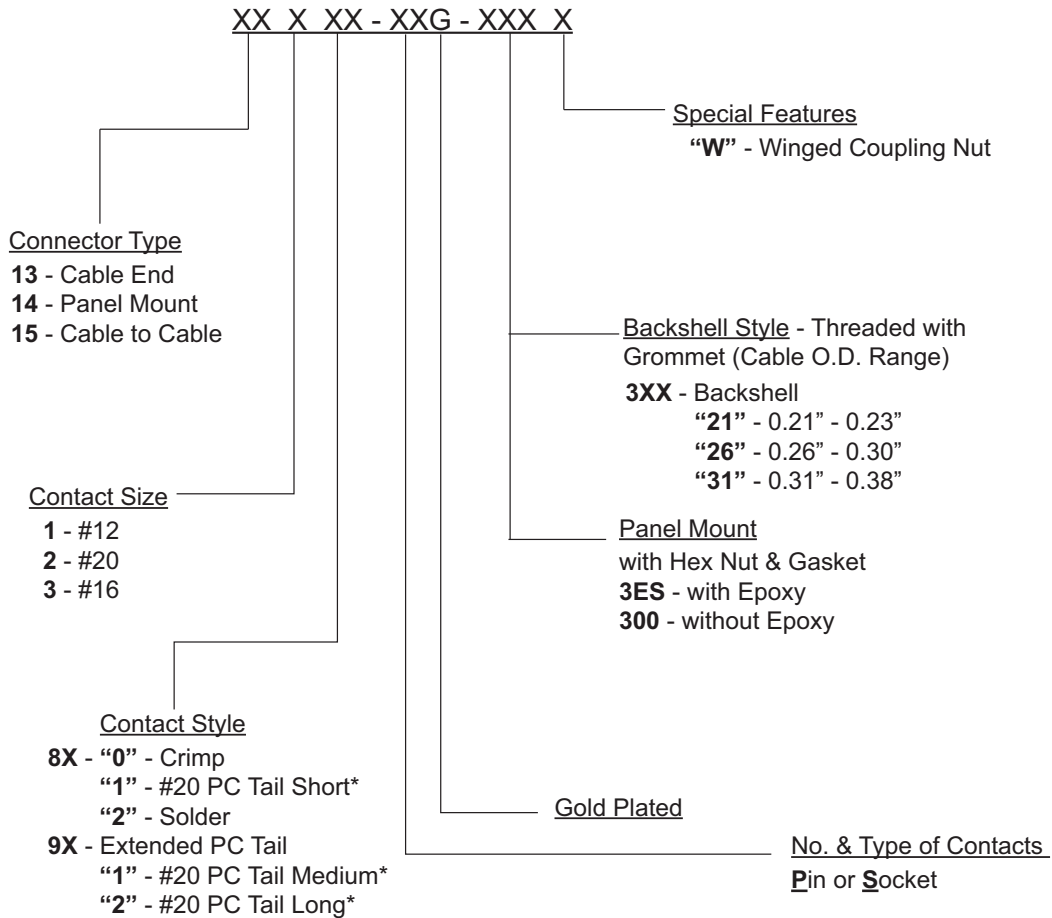
## CABLE CONNECTORS

Front View | Wire View



All dimensions are for reference only. Units shown: in[mm].

## PART NUMBER TO ORDER



\*Consult factory for length and diameter of PC Tail. Additionally, alternative colors and materials are available.