

USB A & B WEATHERTIGHT CONNECTORS

1.44" [37MM] OD



**CABLE END - USB A
QUICK CONNECT**
MATES WITH PANEL MOUNT



**CABLE END - USB A
THREADED CONNECT**
MATES WITH PANEL MOUNT



**CABLE END - USB B
QUICK CONNECT**
MATES WITH PANEL MOUNT



**CABLE END - USB B
THREADED CONNECT**
MATES WITH PANEL MOUNT



**PANEL MOUNT - USB A
QUICK CONNECT**
MATES WITH CABLE END



**PANEL MOUNT - USB A
THREADED CONNECT**
MATES WITH CABLE END



**PANEL MOUNT - USB B
QUICK CONNECT**
MATES WITH CABLE END



**PANEL MOUNT - USB B
THREADED CONNECT**
MATES WITH CABLE END

SPECIFICATIONS

Mechanical Specifications

Life:	350 insertion/withdrawal cycles minimum
Hex Nut Torque:	10-12 in-lb max
Coupling Locking Style:	Quick Connect (Bayonet) or Threaded
Backshell Style:	Threaded Nut-Squeezed Grommet

Electrical Specifications

Current Rating:	1.5 A
Voltage Rating:	Per USB 2.0 standard
Contact Resistance:	30 mΩ max
Insulation Resistance:	1000 MΩ min
Dielectric Withstanding Voltage:	500 V AC/one minute

Environmental Specifications

Operating Temperature Rating:	0 °C to +50 °C (+32°F to +122°F)
Storage Temperature:	-20 °C to +60 °C (-4°F to +140°F)
Moisture Resistance:	Mil-Std 202G Method 106G
Insulation Resistance:	Mil-Std 202G Method 302
Vibration:	Mil-Std 202G Method 201A
Thermal Shock:	Mil-Std 202G Method 107G
Weathertight:	IP67 & IP68, NEMA 250 (6P) (when mated)
Salt Spray:	Mil-Std 202G Method 101E
Product Ratings:	Tested per USB 2.0

Material Specifications

Plug Nut, Coupling Ring:	Thermoplastic
Plug Housing, Insert:	Thermoplastic
Sealing Ring, O-Ring:	Elastomer
Panel Housing, Hex Nut:	Thermoplastic
Retaining Nut:	Copper Alloy, Nickel Plated
Gasket:	Elastomer

USB A or B Plug:

Shell:	Steel, Nickel Plated
Contacts:	Copper Alloy, Gold Plated
Insulator:	Thermoplastic UL94V-0, White

USB A Receptacle:

Shell:	Steel, Nickel Plated
Contacts:	Copper Alloy, Gold Plated
Insulator:	Thermoplastic UL94V-0, White

USB B Receptacle:

Shell:	Copper Alloy, Nickel Plated
Contacts:	Copper Alloy, Gold Plated
Insulator:	Thermoplastic UL94V-0, White

Molded Cable Assemblies

Consult factory for molded options

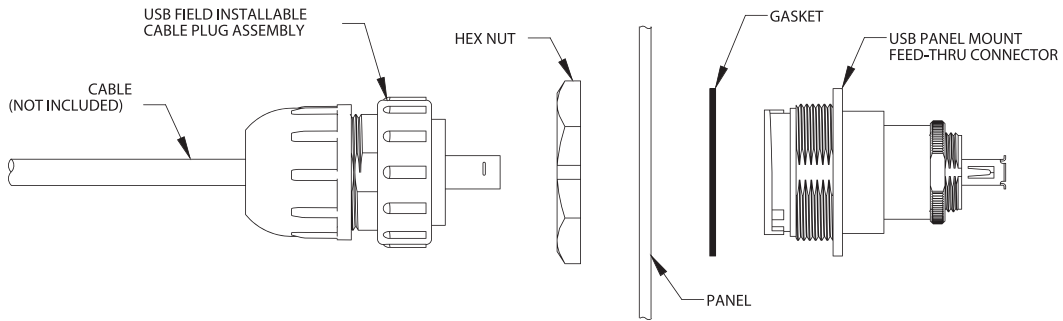
Other

Flame Rating:	UL 94V-0
Recommended Panel Thickness:	1/32" - 3/16" [0.8mm to 4.8mm] - Quick Connect Coupling 1/32" - 5/32" [0.8mm to 3.9mm] - Threaded Coupling

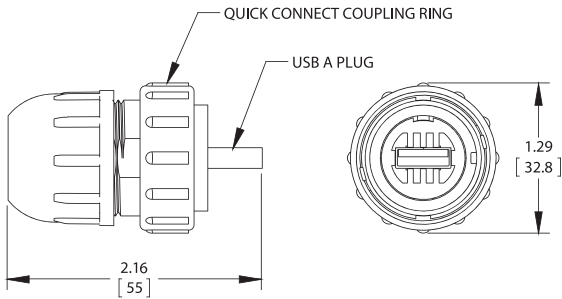
Recommended Cable Type

Conductor Type:	Solid or Stranded Conductors
Outer Cable O.D. Range:	Product 150 Series: 0.134"-0.170" [3.40mm-4.33mm] Product 180 Series: 0.171"-0.208" [4.34mm-5.28mm]

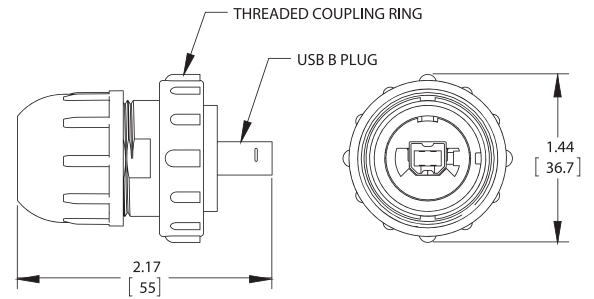
DATA-CON-X®: USB A & B WEATHERTIGHT CONNECTORS



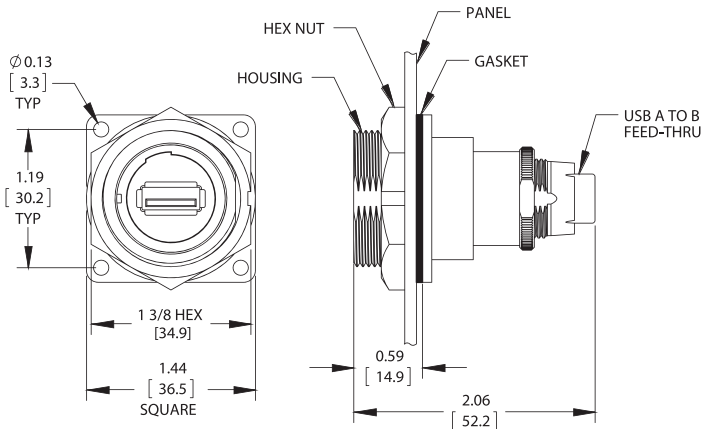
USB A FIELD INSTALLABLE CABLE PLUG
(SHOWN WITH QUICK CONNECT COUPLING)



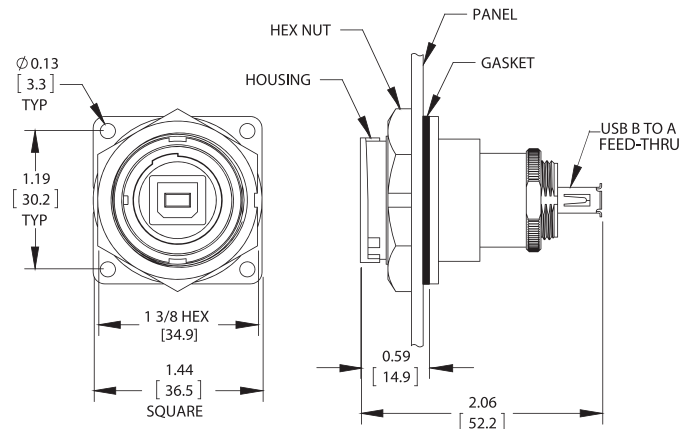
USB B FIELD INSTALLABLE CABLE PLUG
(SHOWN WITH THREADED COUPLING)



USB PANEL MOUNT FEED-THRU CONNECTOR
(SHOWN WITH USB A TO B FEED-THRU CONNECTOR)
(SHOWN WITH THREADED HOUSING)



USB PANEL MOUNT FEED-THRU CONNECTOR
(SHOWN WITH USB B TO A FEED-THRU CONNECTOR)
(SHOWN WITH QUICK CONNECT HOUSING)



All dimensions are for reference only. Units shown: in[mm].

USB A & B WEATHERTIGHT CONNECTORS

1.44" [37_{MM}] OD

PART NUMBER TO ORDER



USB FIELD INSTALLABLE CABLE PLUG PART NUMBER CHART			
USB FIELD INSTALLABLE CABLE PLUG ASSEMBLY	PLUG TYPE	COUPLING TYPE	SERIES
DCC	USBA = USB "A" 2.0 USBB = USB "B" 2.0	B = QUICK CONNECT T = THREADED	150 = $\varnothing 0.134''-0.170''$ [3.40-4.33mm] 180 = $\varnothing 0.171''-0.208''$ [4.34-5.28mm]



USB PANEL MOUNT FEED-THRU CONNECTORS PART NUMBER CHART			
USB FIELD INSTALLABLE PANEL HOUSING ASSEMBLY	RECEPTACLE TYPE (SEALED END)	COUPLING TYPE	RECEPTACLE TYPE (NON-SEALED END)
DCP	USBA = USB "A" 2.0 USBB = USB "B" 2.0	B = QUICK CONNECT T = THREADED	USBA = USB "A" 2.0 * USBB = USB "B" 2.0 **

* (NOT AVAILABLE WITH USBA ON SEALED END)
** (NOT AVAILABLE WITH USBB ON SEALED END)