

# SEALED MINI USB CONNECTORS

0.71" [18MM] OD



**QUICK CONNECT CABLE END**  
MATES WITH PANEL MOUNT



**PANEL MOUNT**  
MATES WITH CABLE END



**REAR VIEW - PC TAIL**



**REAR VIEW - FEED-THRU TERMINATION**



**REAR VIEW - SOLDER HOLES**

## SPECIFICATIONS

### **Mechanical Specifications**

Life:	500 insertion / withdrawal cycles minimum
Vibration:	Mil-Std 202G Method 201A
Hex Nut Torque:	10-12 in-lb
Coupling Locking Style:	Quick Connect (Bayonet)
Backshell Style:	Threaded

### **Electrical Specifications**

Tested Per USB 2.0 Specifications

### **Environmental Specifications**

Operating Temperature Rating:	-20 °C to +75 °C (-4°F to +167°F)
Moisture Resistance:	Mil-Std 202G method 106G
Insulation Resistance:	Mil-Std 202G Method 302G
Thermal Shock:	Mil-Std 202G Method 107G
Weathertight:	IP67 & IP68, NEMA 250 (6P) (when mated)

### **Material Specifications**

Plug Nut, Coupling Nut:	Thermoplastic
Plug Housing, Insert:	Thermoplastic
Sealing Ring, O-Ring:	Elastomer
Panel Housing, Hex Nut:	Thermoplastic
Gasket:	Elastomer
Printed Circuit Board (PCB):	FR-4

### **Header:**

Insulator:	Thermoplastic UL94V-0, Black
Contacts:	Copper Alloy, Gold Plated

### **USB Mini-B Plug:**

Insulator:	Thermoplastic UL94V-0, Black
Contacts:	Copper Alloy, Gold Plated (Contact Area)
Metal Shield:	Steel, Tin Plated

### **USB Mini-B Receptacle:**

Insulator:	Thermoplastic UL94V-0, Black
Contacts:	Copper Alloy, Gold Plated (Contact Area)
Metal Shield:	Copper Alloy, Nickel Plated

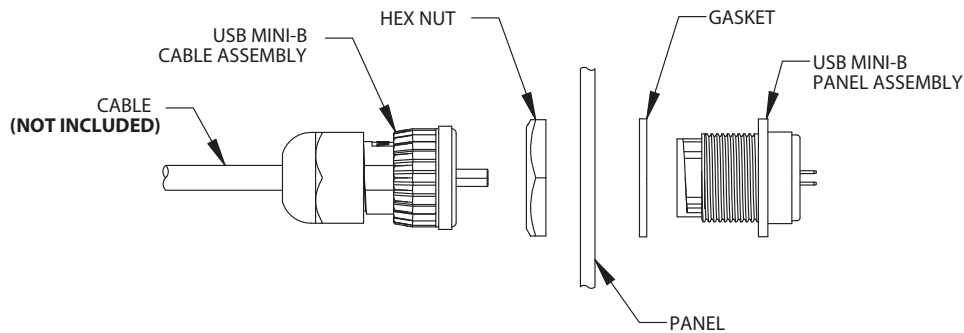
### **Molded Cable Assemblies**

Consult factory for molded options

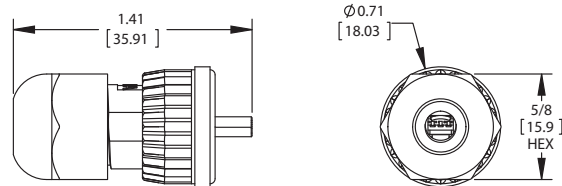
### **Other**

Recommended Cable O.D. Range:	Ø0.161"-Ø0.181" [4.1mm-4.6mm]
Recommended Panel Thickness:	Ø0.031"-Ø0.187" [0.8mm-4.8mm]

## DATA-CON-X®: SEALED MINI USB CONNECTORS



**DCC-USBNB-160**  
USB MINI-B CABLE PLUG FIELD INSTALLABLE



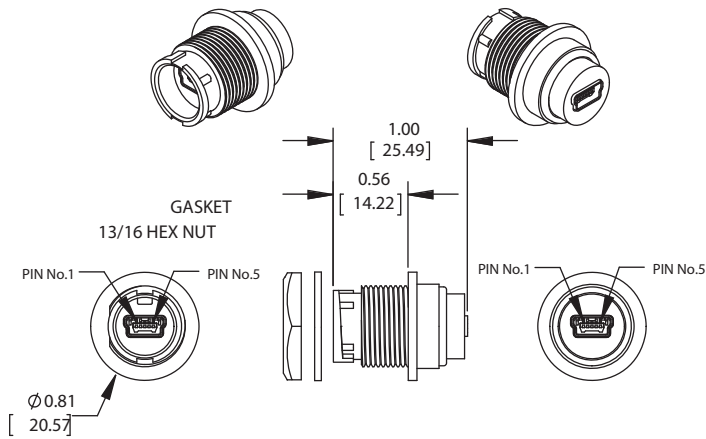
## PART NUMBER TO ORDER

Part Number	Style	Description
DCC-USBNB-160	Plug	Field Installable Cable Plug
DCP-USBNB-MNHD	Receptacle	Panel Mount: USB Mini-B to PC Tails
DCP-USBNB-MNSC	Receptacle	Panel Mount: USB Mini-B to Solder Holes
DCP-USBNB-USBN	Receptacle	Panel Mount: USB Mini-B Feed-thru

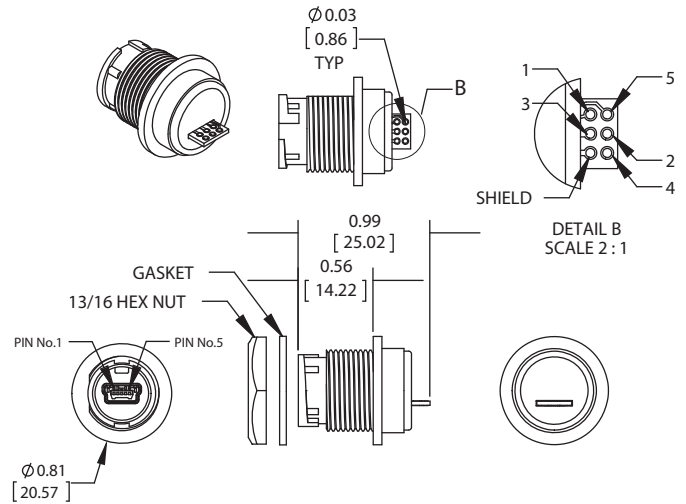
All dimensions are for reference only. Units shown: in[mm].

## PANEL MOUNT ASSEMBLY KITS

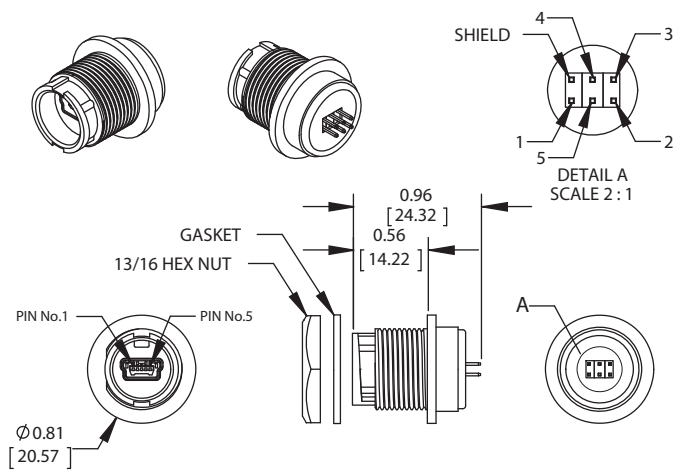
**DCP-USBNB-USBN**  
USB MINI-B FEED-THRU



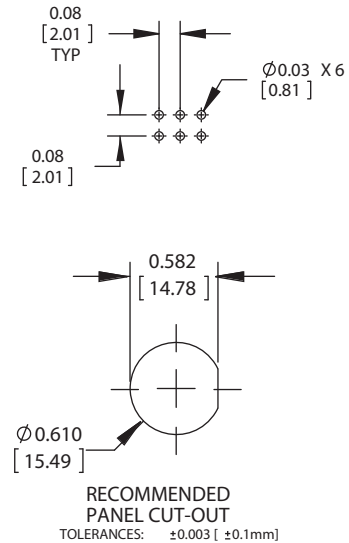
**DCP-USBNB-MNSC**  
USB MINI-B TO SOLDER HOLES



**DCP-USBNB-MNHD**  
USB MINI-B TO PC TAILS



**PCB HOLE LAYOUT FOR DCP-USBNB-MNHD**



All dimensions are for reference only. Units shown: in[mm].